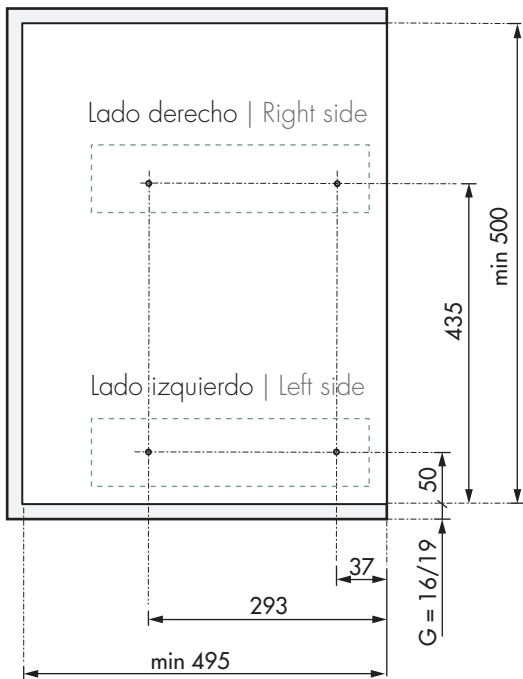
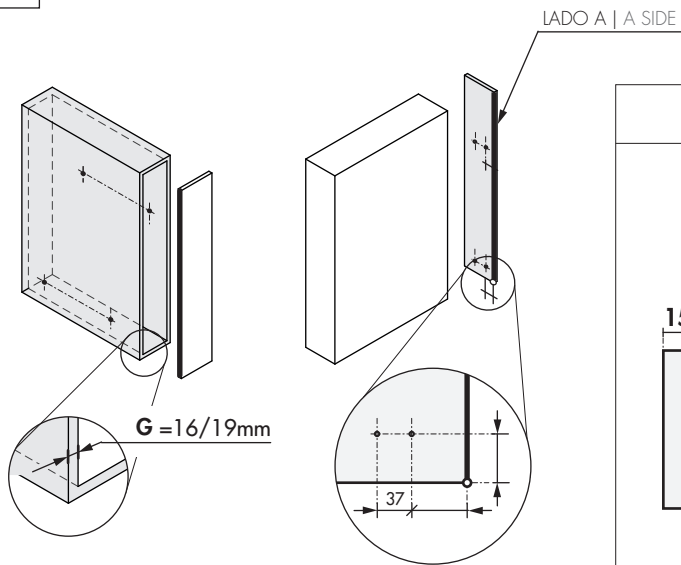
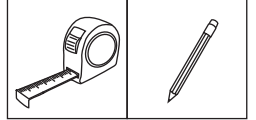


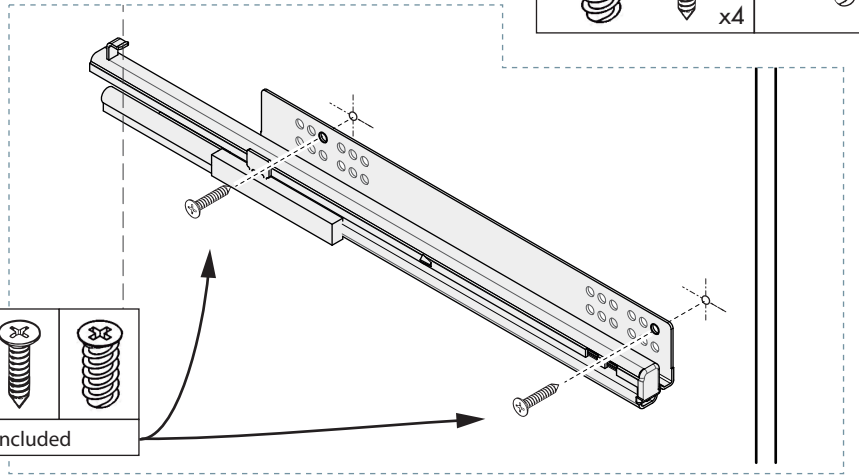
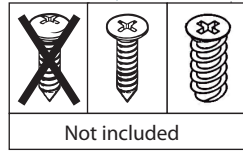
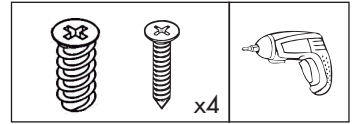
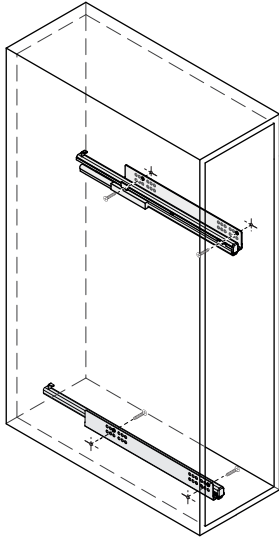
1



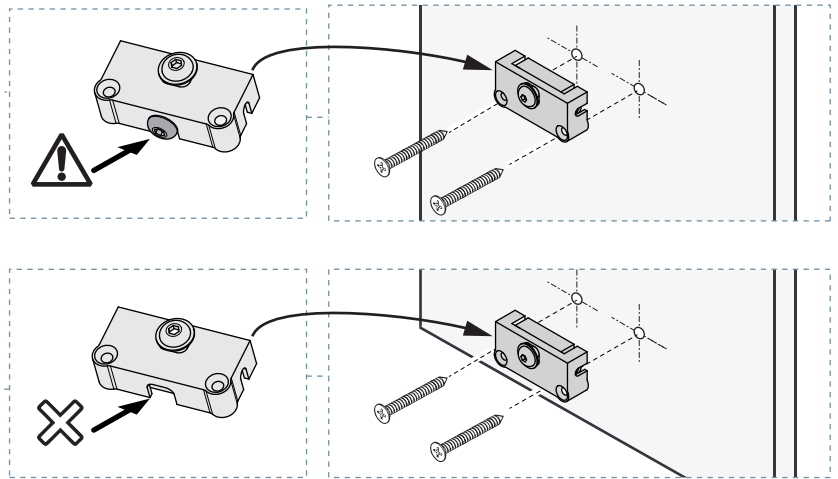
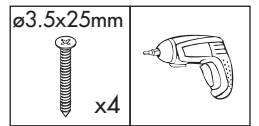
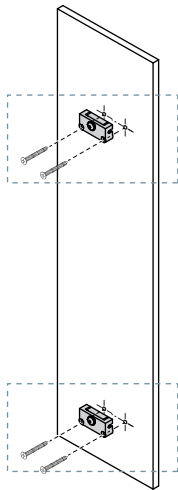
	G = 16 mm	G = 19 mm
<p>150</p>	<p>LADO A A SIDE</p>	<p>LADO A A SIDE</p>
<p>200</p>	<p>LADO A A SIDE</p>	<p>LADO A A SIDE</p>

Unidades en milímetros | Units in millimeters | Unités en millimètres

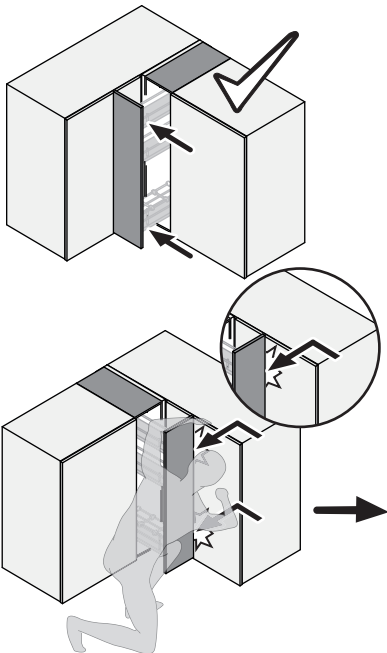
2



3



i Regulación frontal reversible - Reversible front adjustment



Recomendado | Recommended

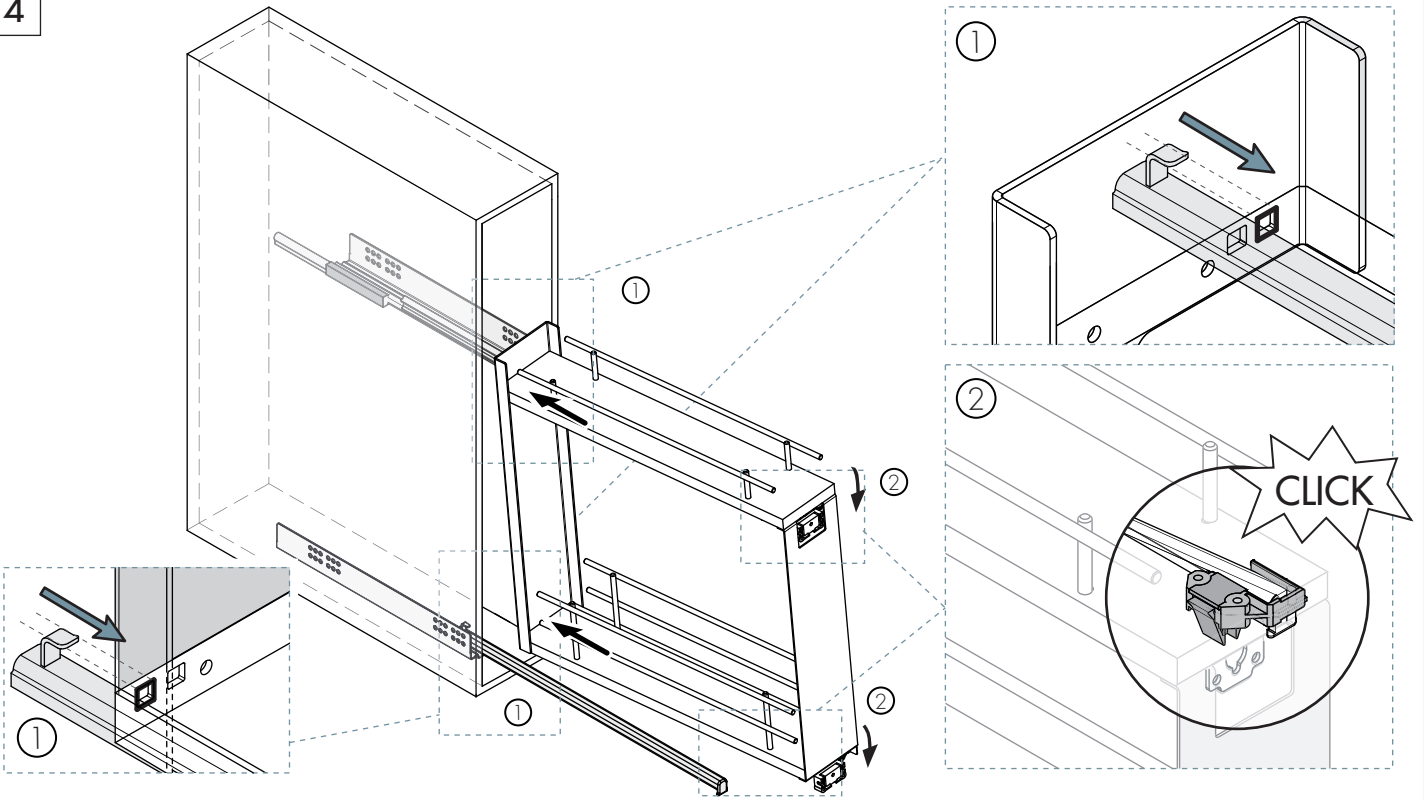
1

2

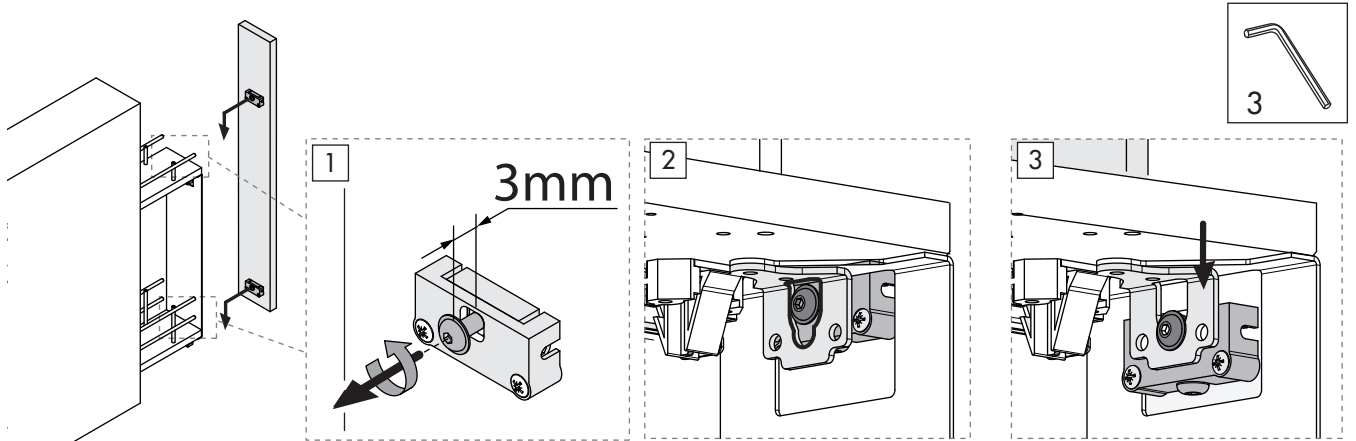
3

Cambiar en ambas fijaciones | Change on both fixings

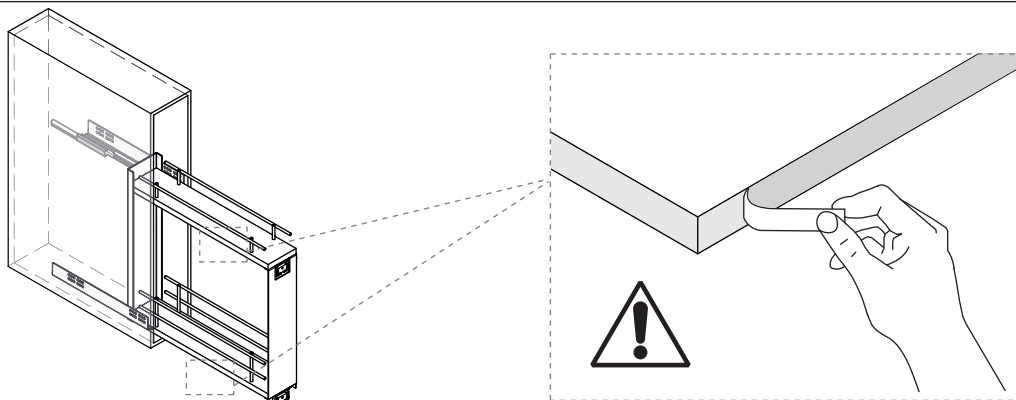
4





5

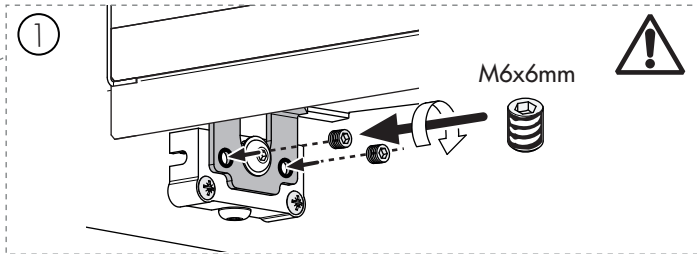
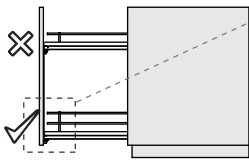
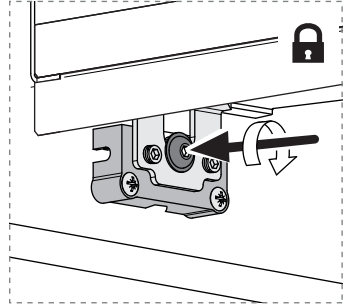
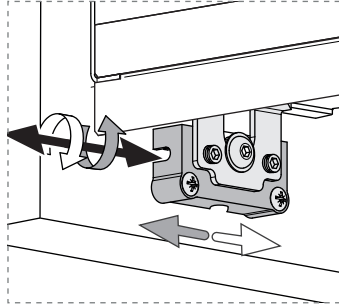
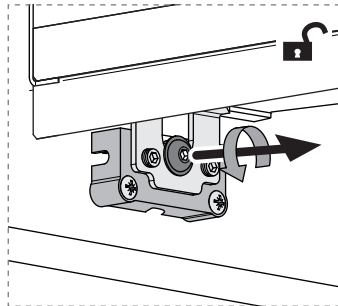
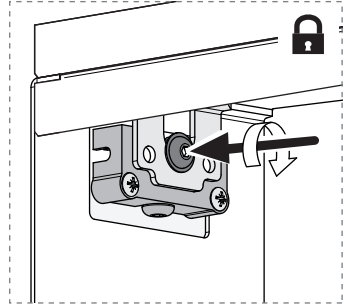
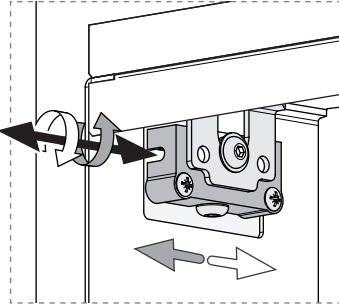
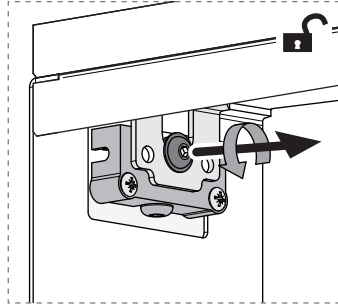
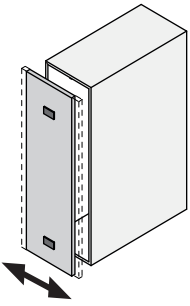
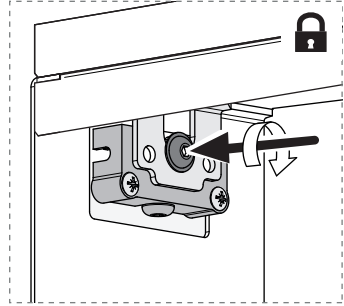
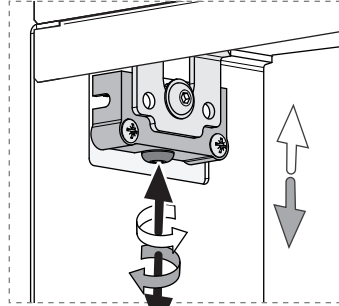
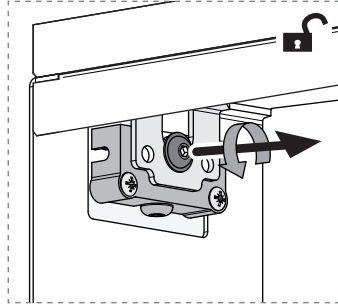
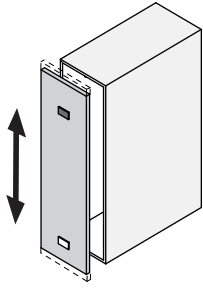




6

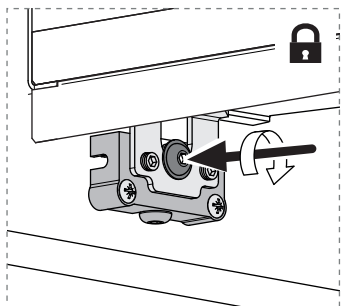
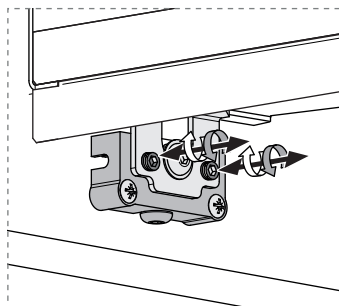
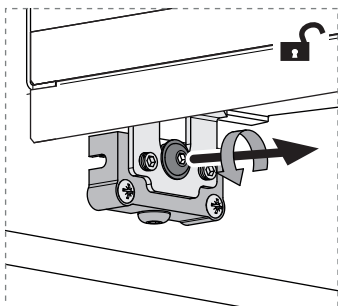
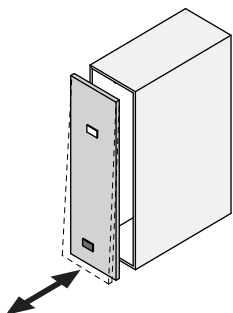
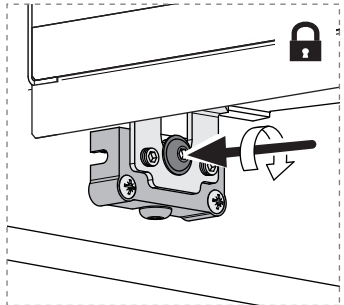
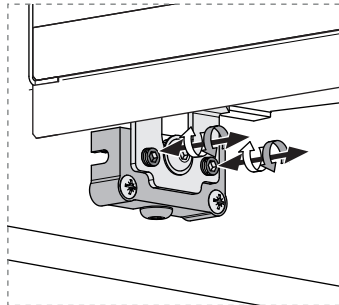
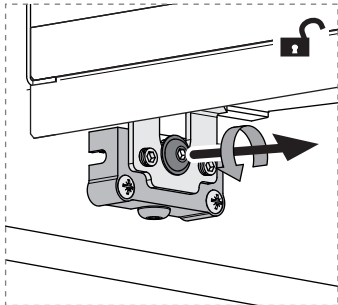
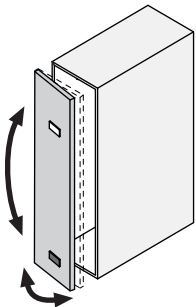


7 Regulación frontal | Front adjustment

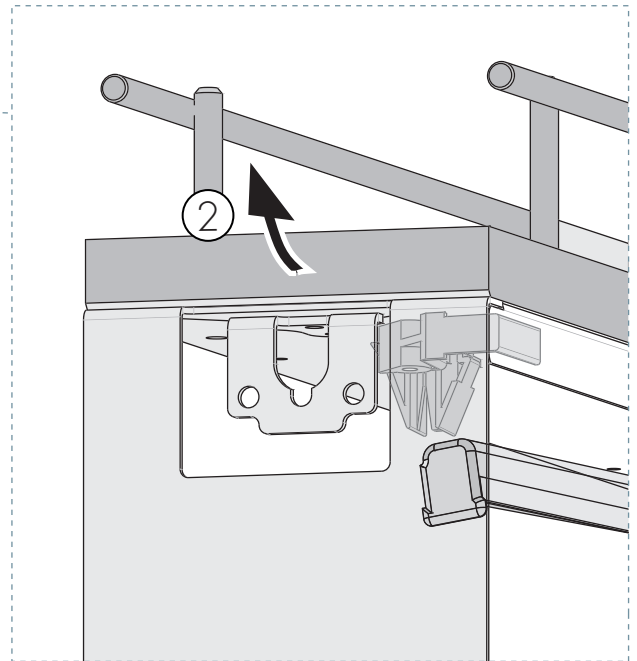
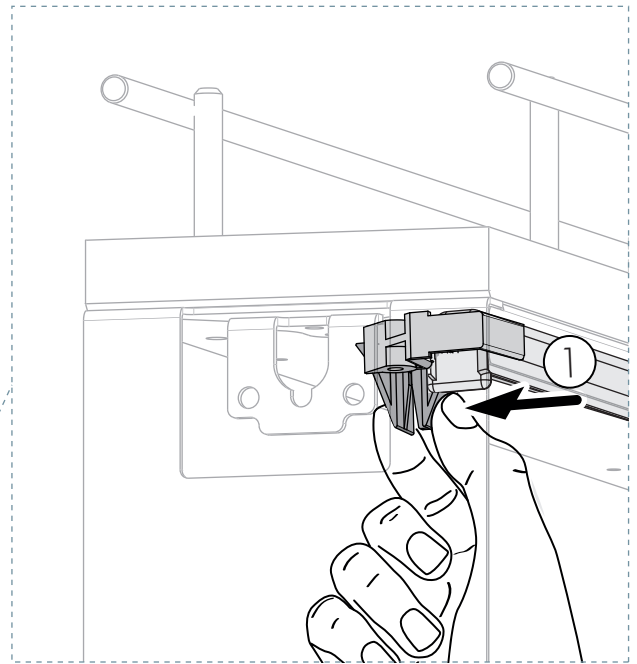
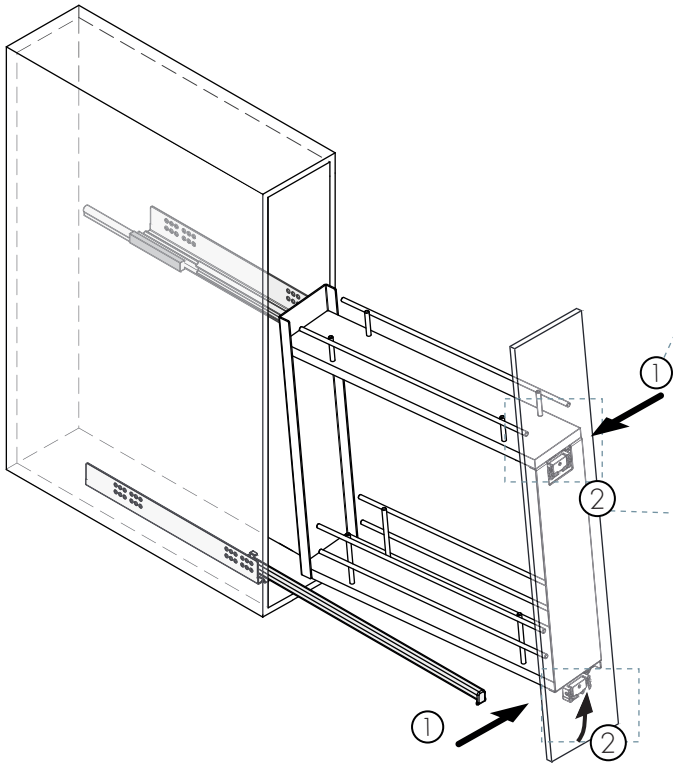
M6x6mm
x2  3 



M6x6mm
x2  3 

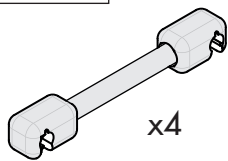


i Desmontaje | Dismount | Démontage



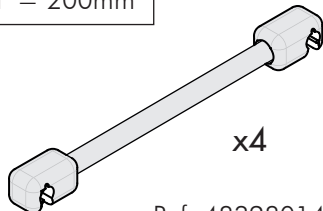
Productos Complementarios | Complementary products | Produits complémentaires

F = 150mm

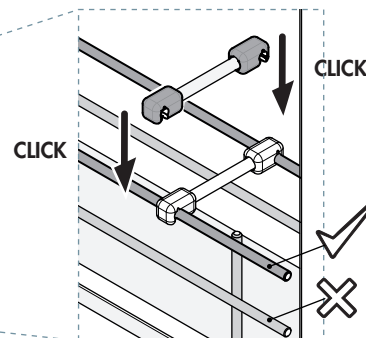
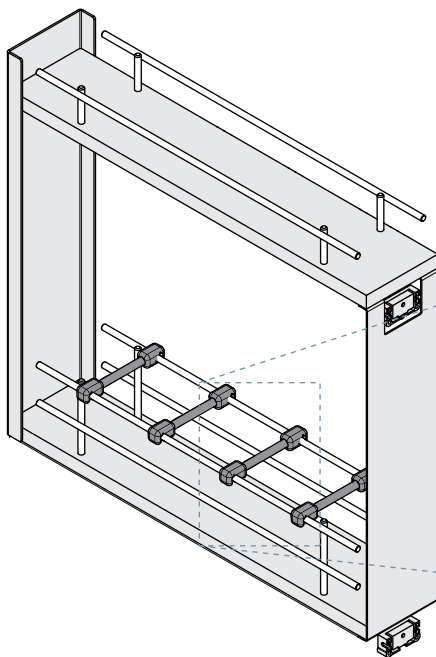
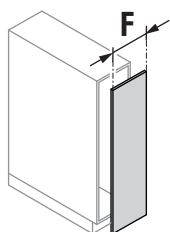


Ref: 48327014

F = 200mm

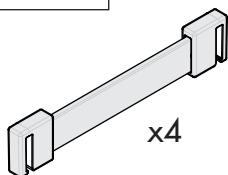


Ref: 48328014



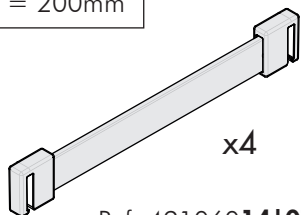
Ref: (F = 150mm) 48298014
(F = 200mm) 48299014

F = 150mm



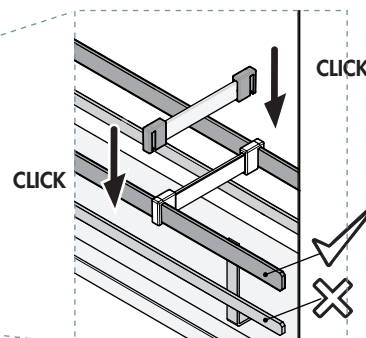
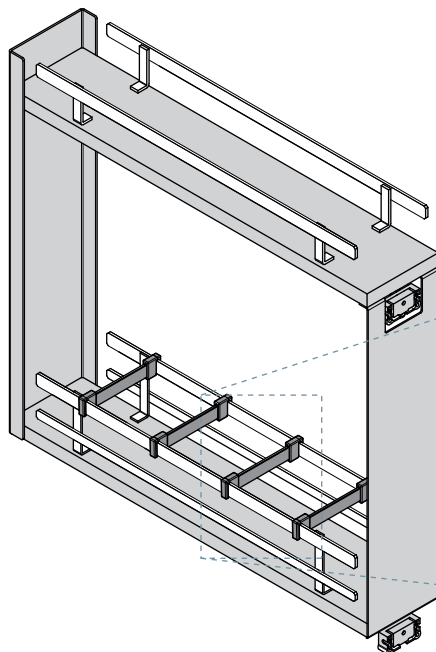
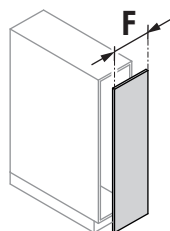
Ref: 491050**14|07**

F = 200mm



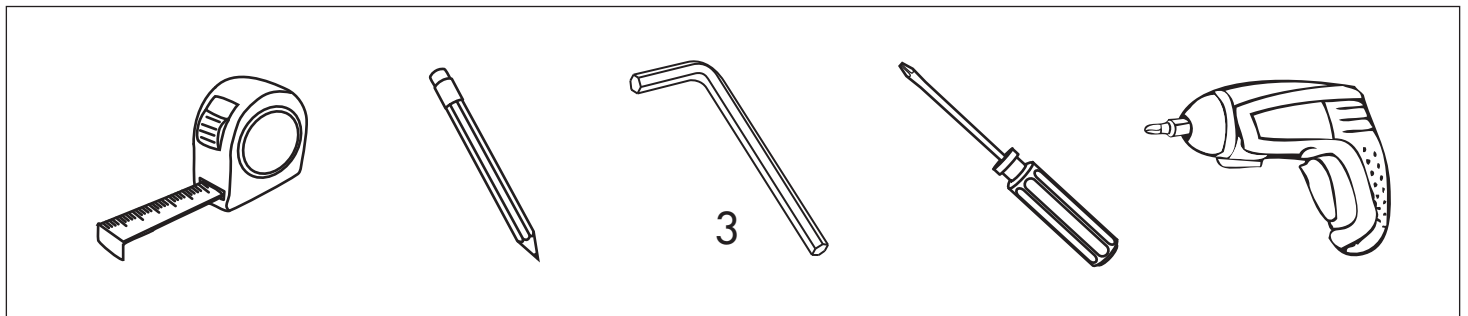
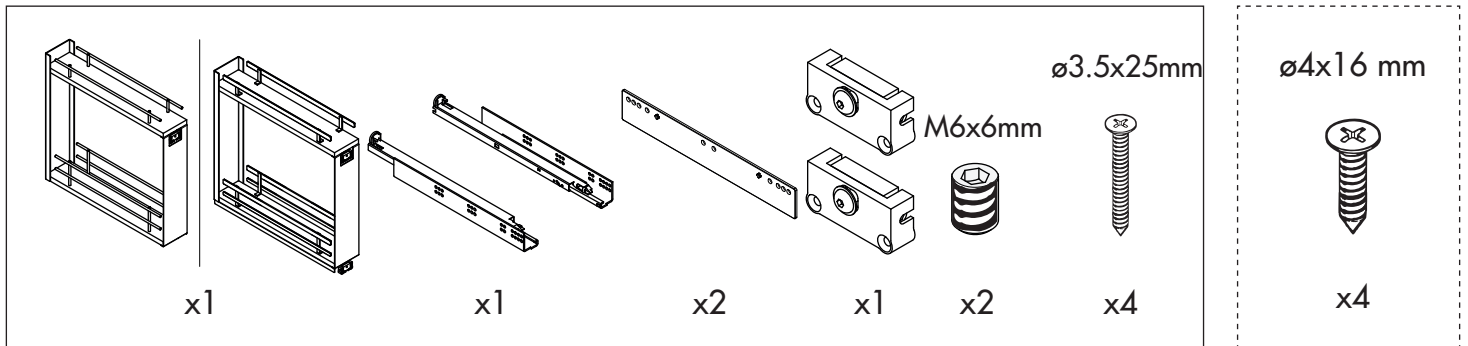
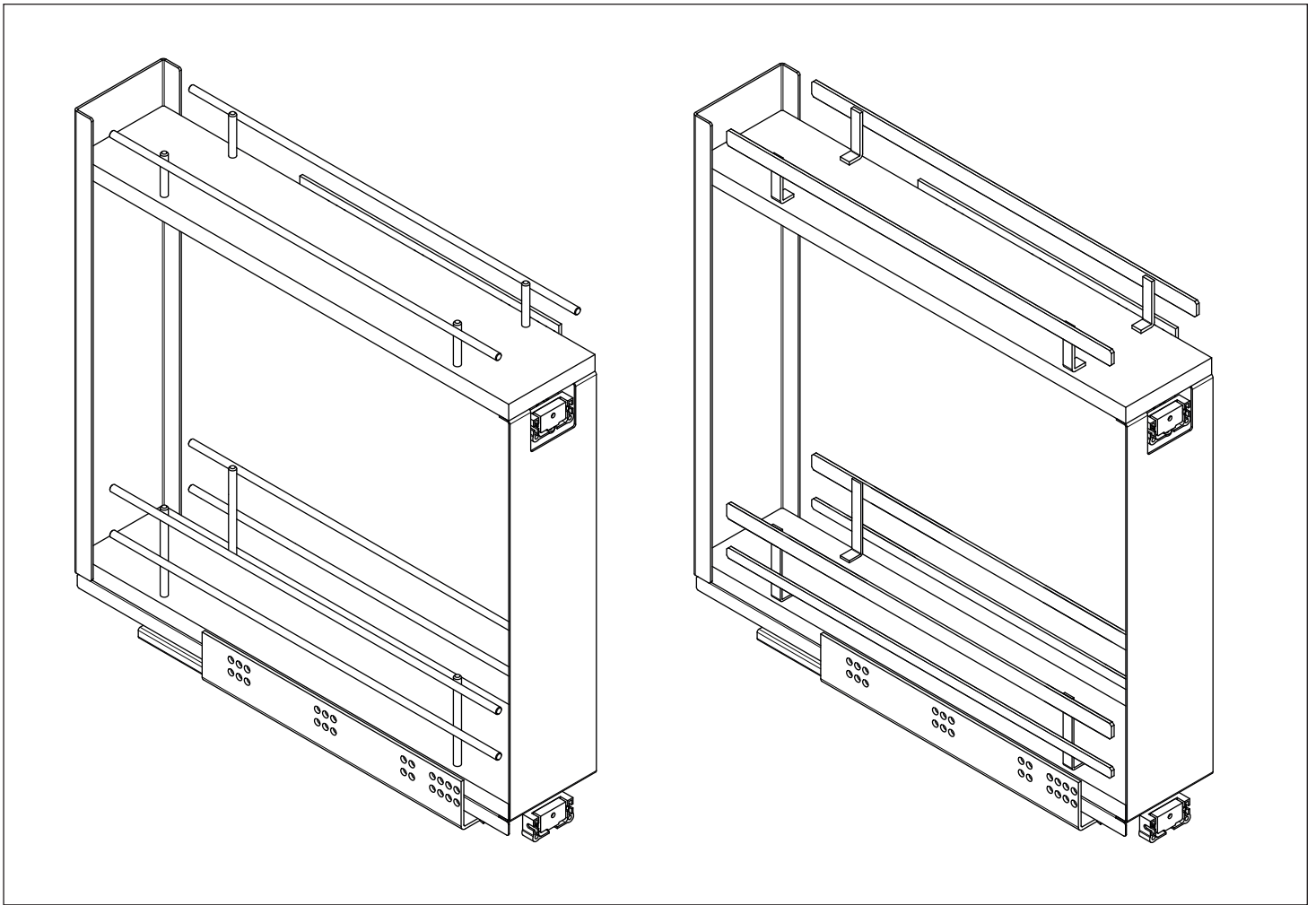
Ref: 491060**14|07**

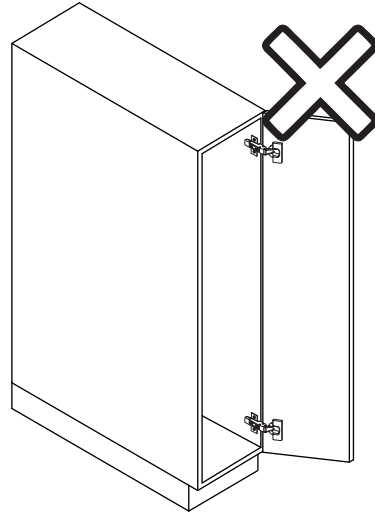
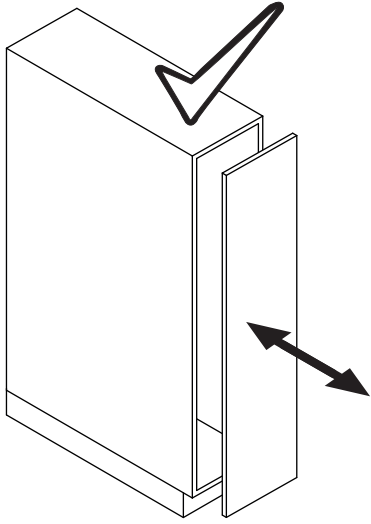
14 Cromo | Chrome
07 Antracita | Anthracite



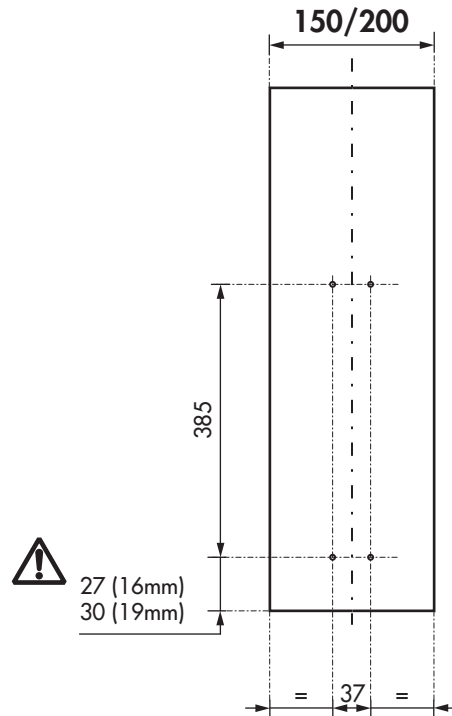
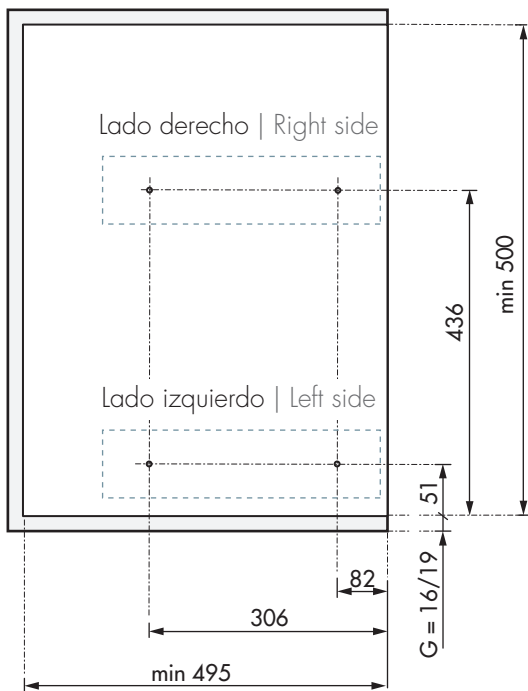
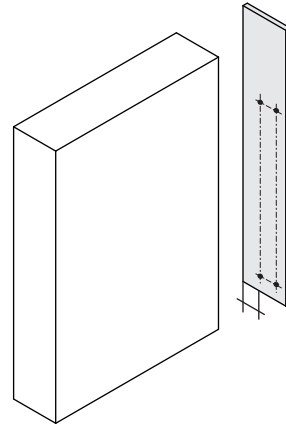
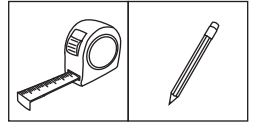
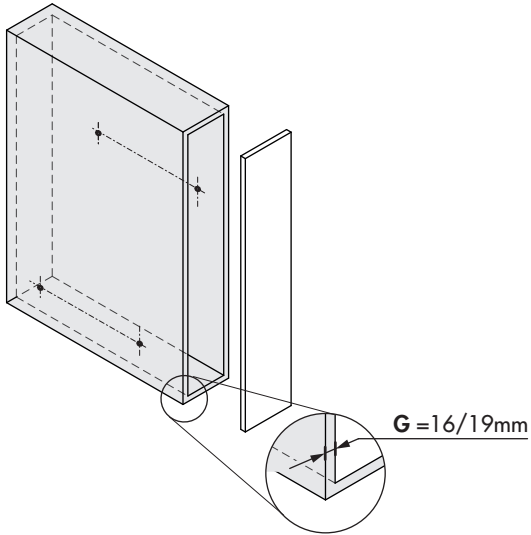
Ref: (F = 150mm) 49070014 /07
(F = 200mm) 49072014 /07







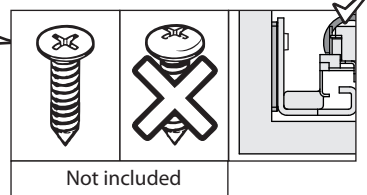
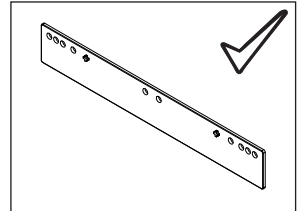
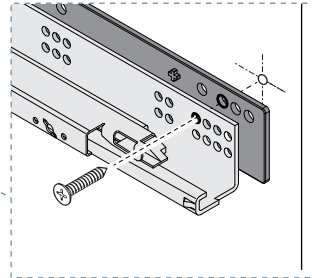
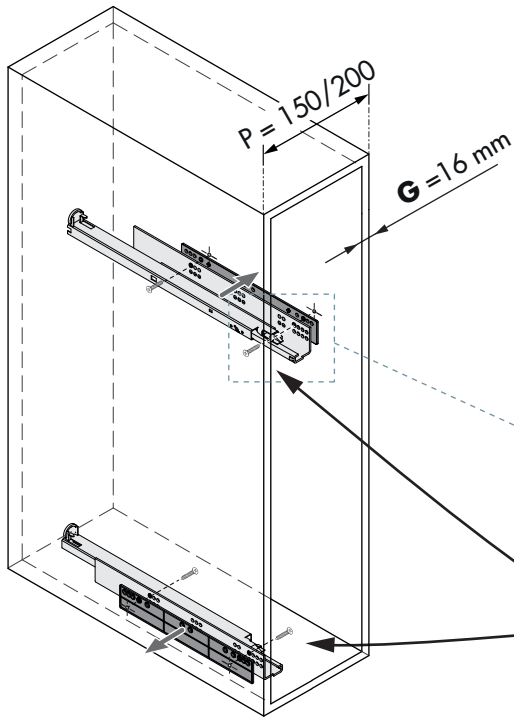
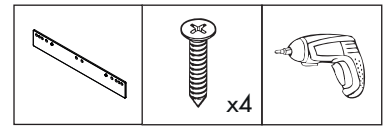
1



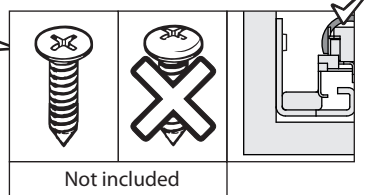
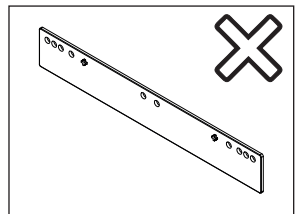
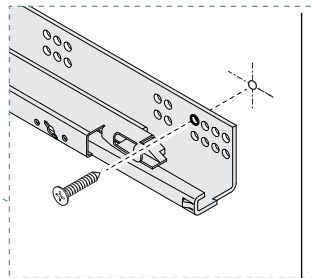
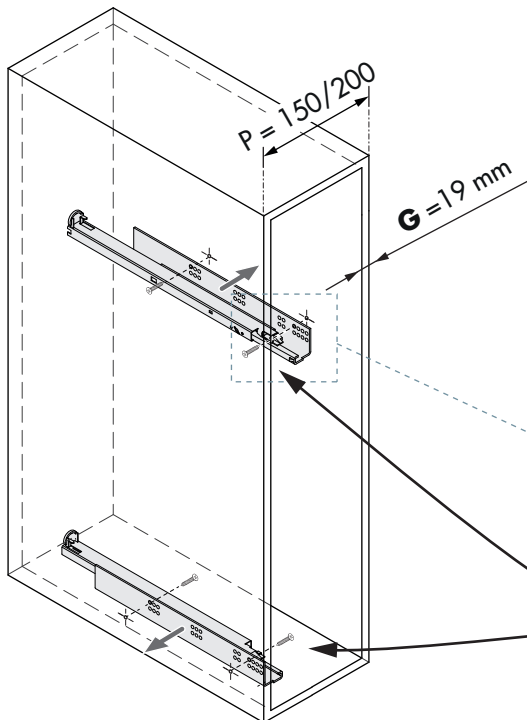
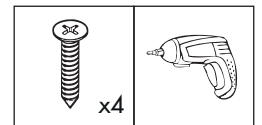
Unidades en milímetros | Units in millimeters | Unités en millimètres

2

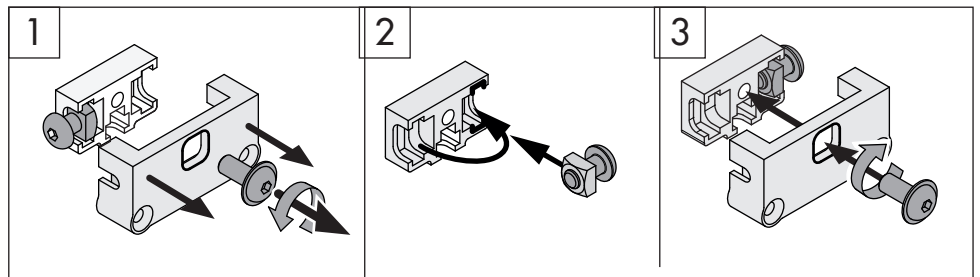
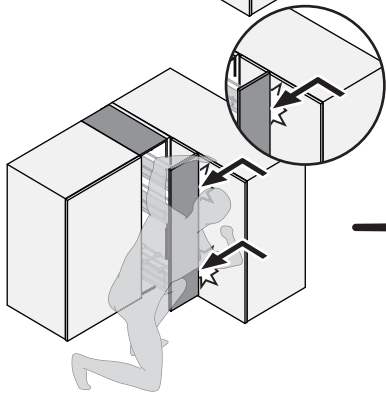
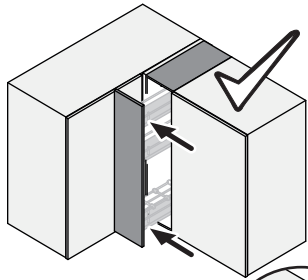
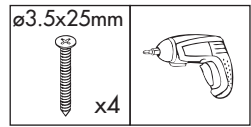
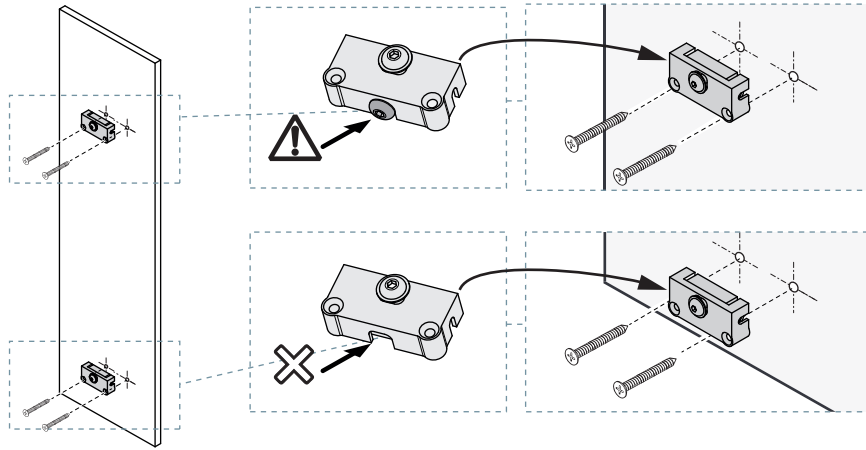
Espesor 16mm | Thicknes 16 mm



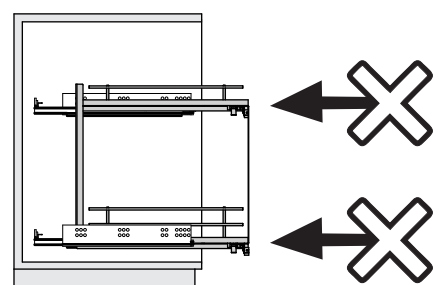
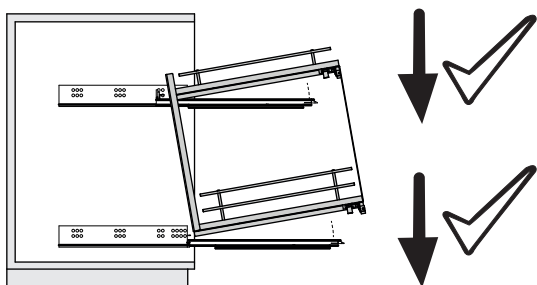
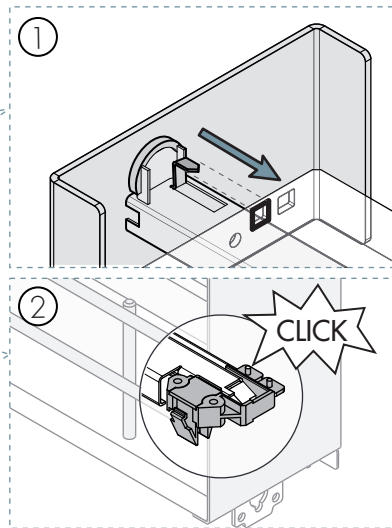
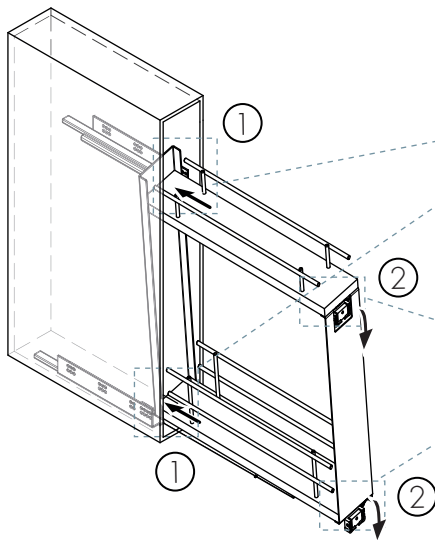
Espesor 19mm | Thicknes 19 mm



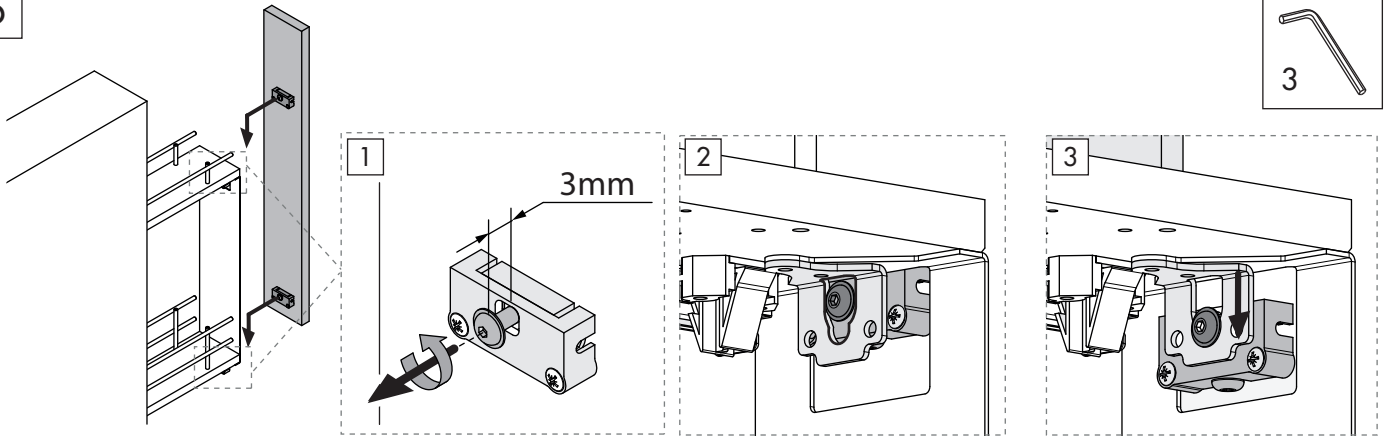
3



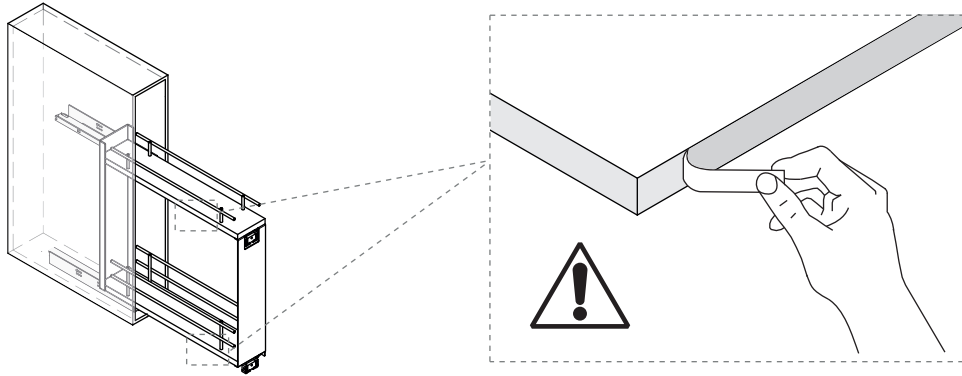
4



5

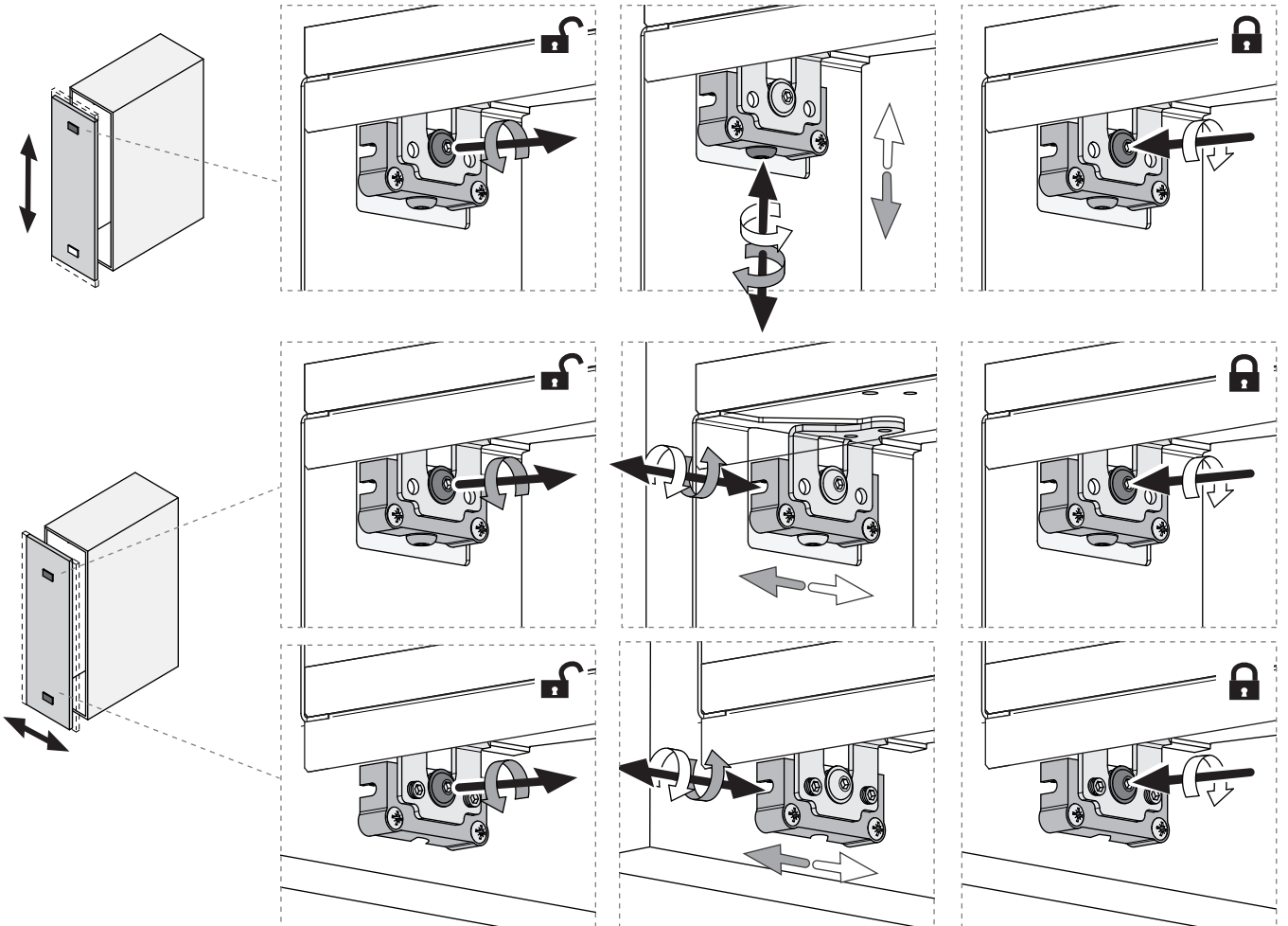


6

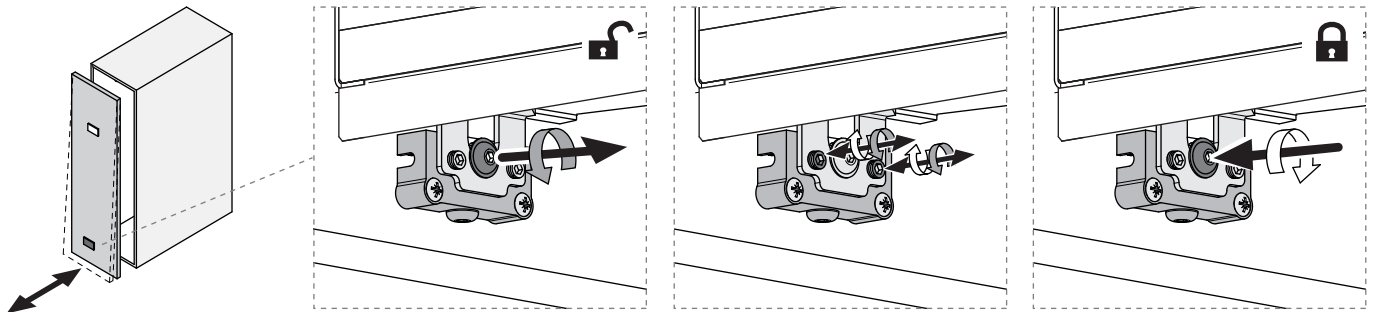
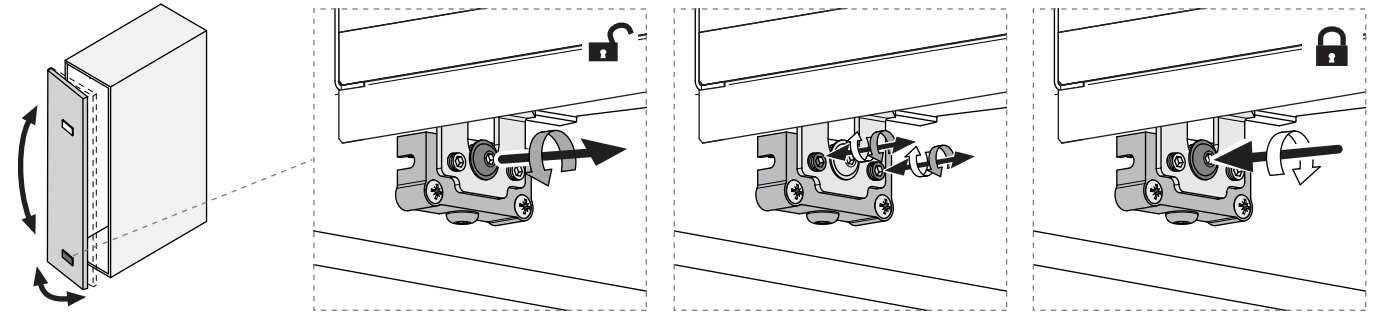
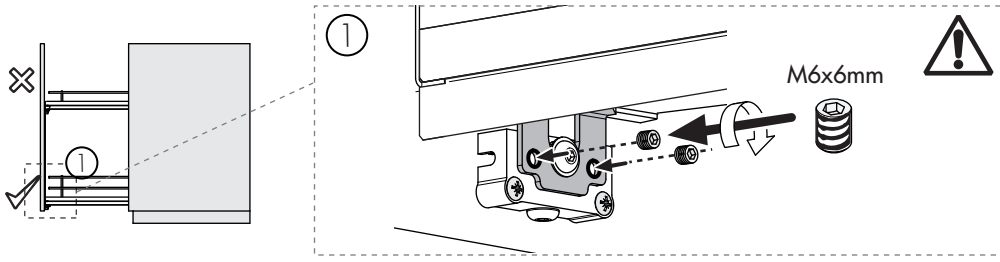
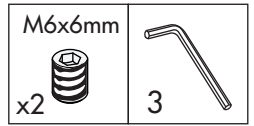


7

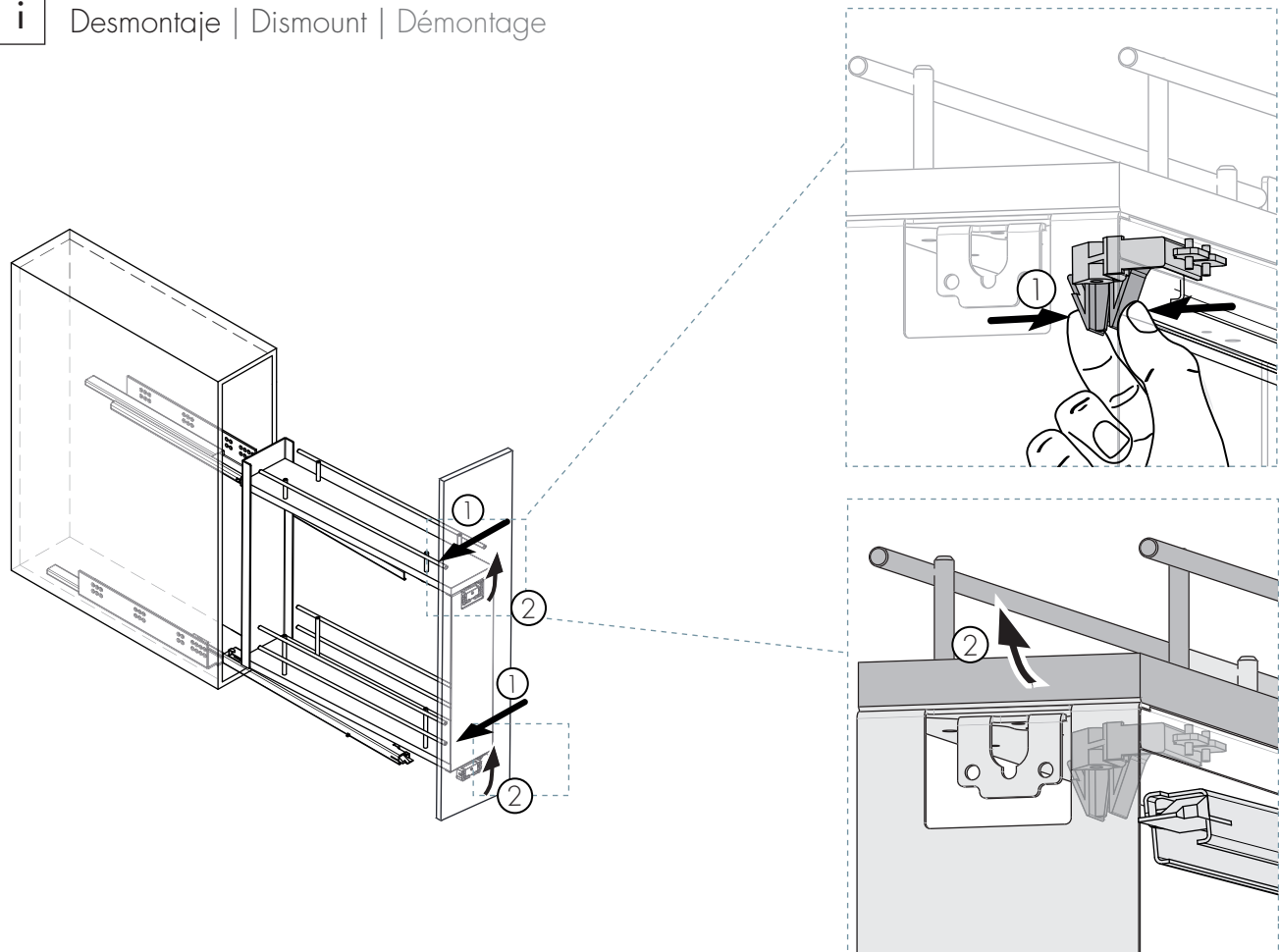
Regulación frontal | Front adjustment



7 Regulación frontal | Front adjustment

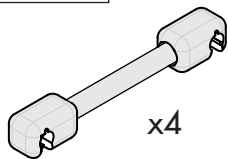


i Desmontaje | Dismount | Démontage



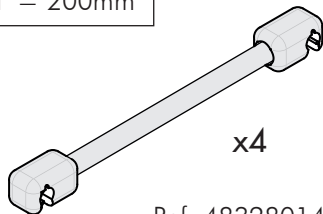
Productos Complementarios | Complementary products | Produits complémentaires

F = 150mm

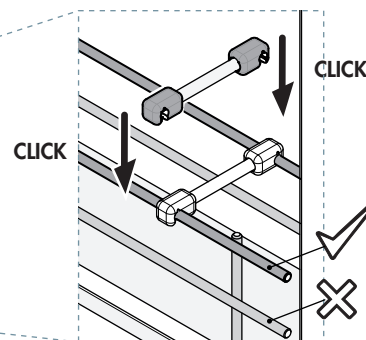
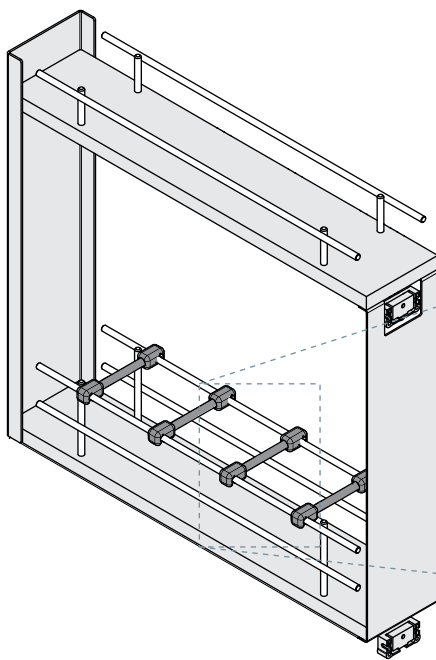
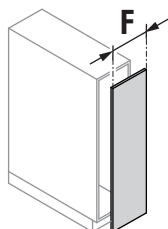


Ref: 48327014

F = 200mm

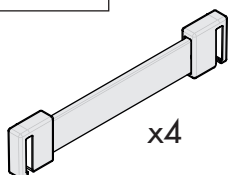


Ref: 48328014



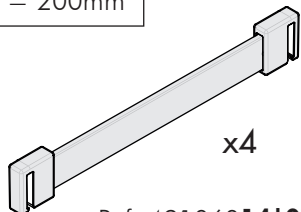
Ref: (F = 150mm) 47298014
(F = 200mm) 47299014

F = 150mm



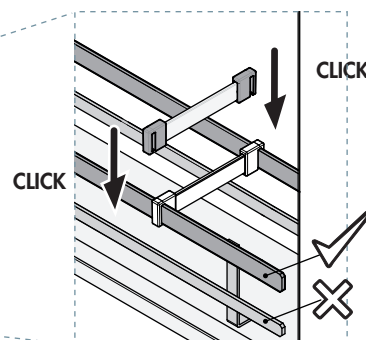
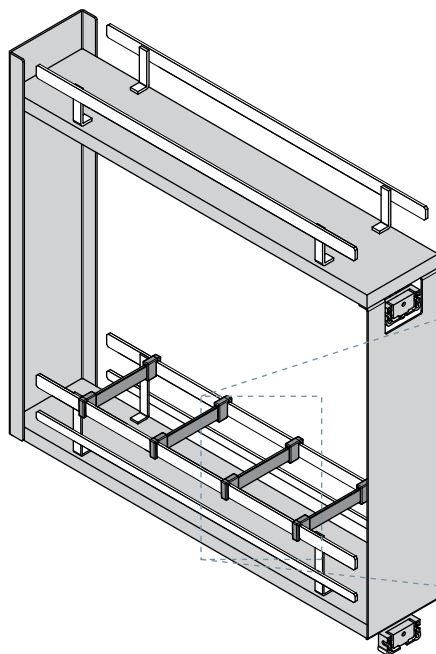
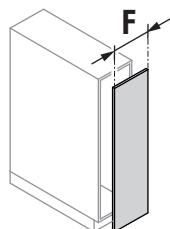
Ref: 491050**14|07**

F = 200mm



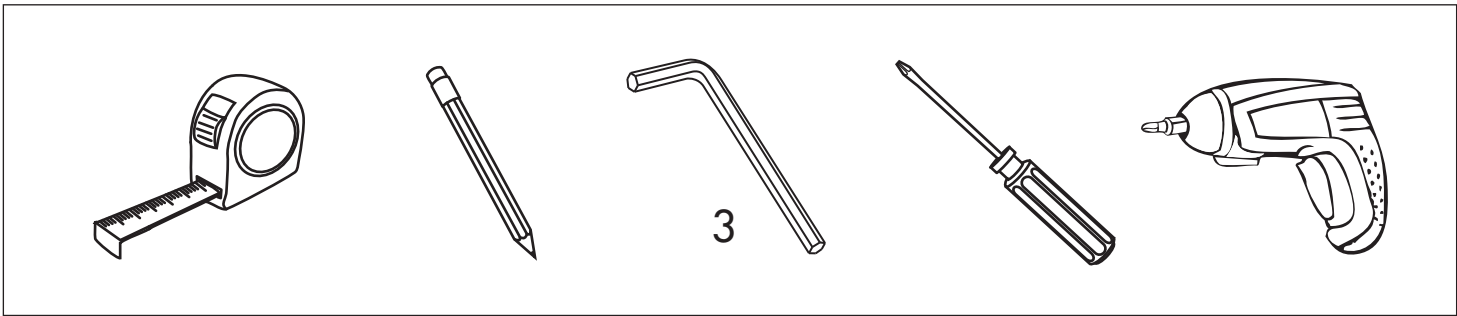
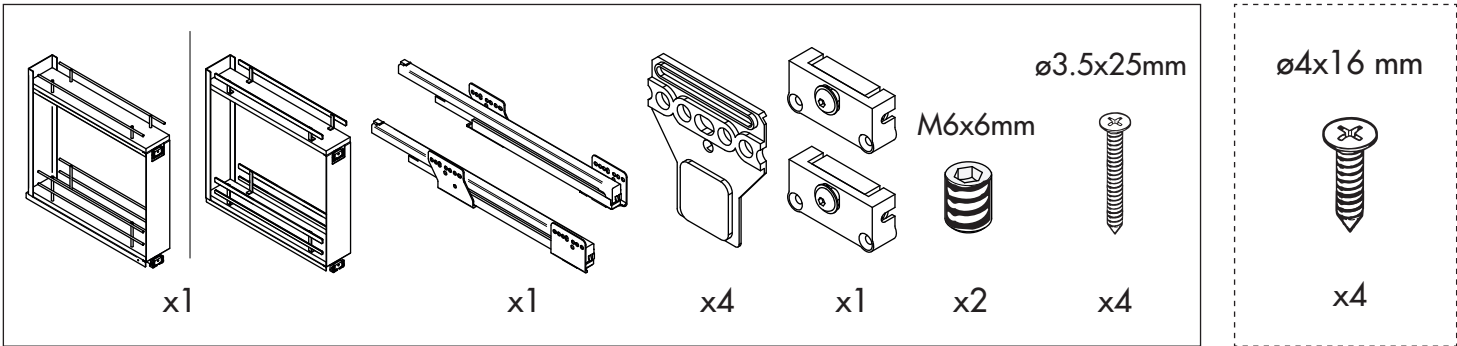
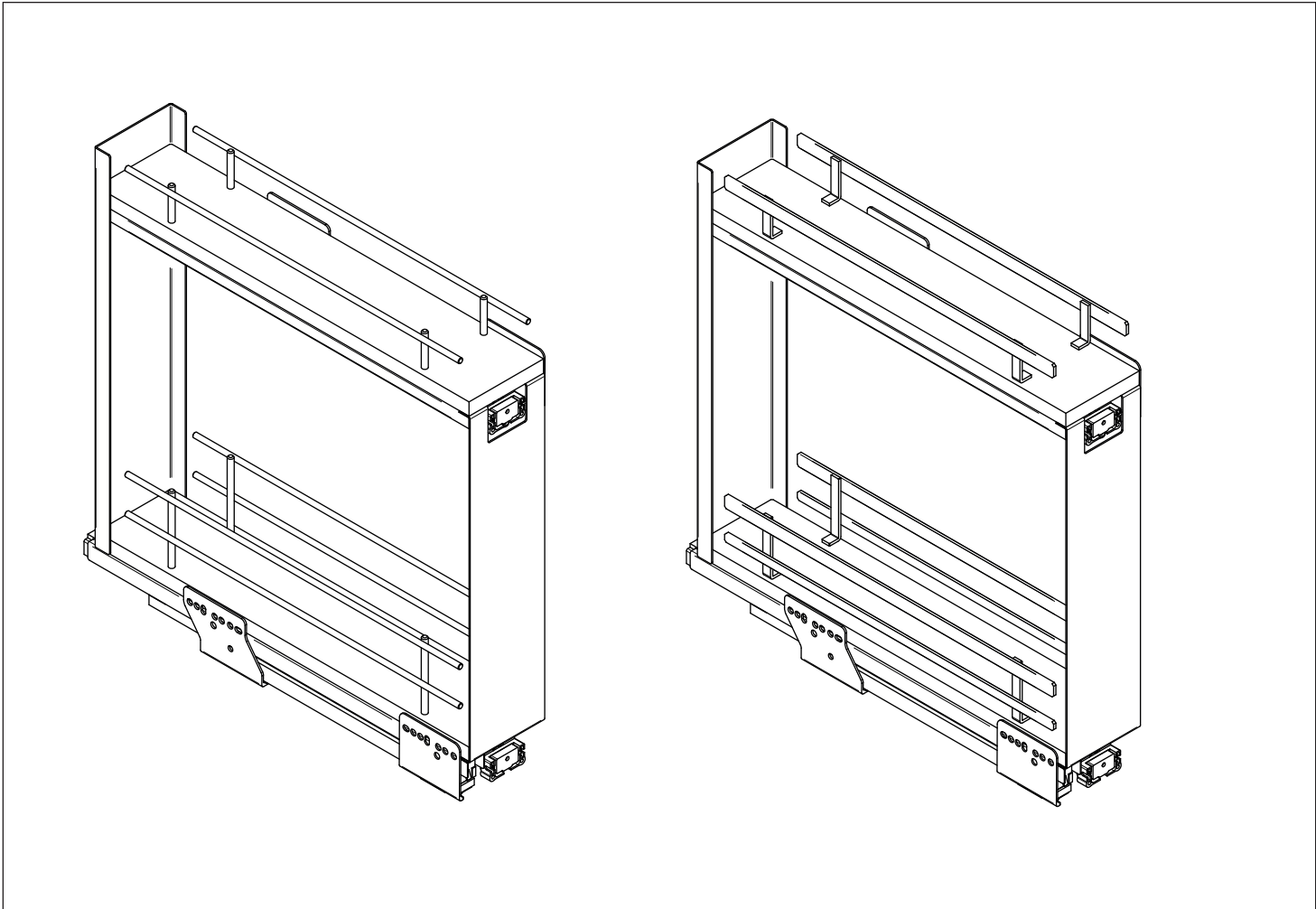
Ref: 491060**14|07**

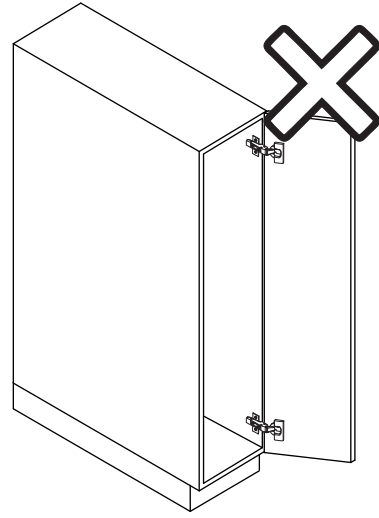
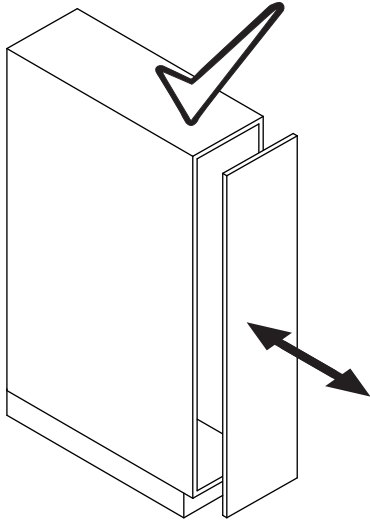
14 Cromo | Chrome
07 Antracita | Anthracite



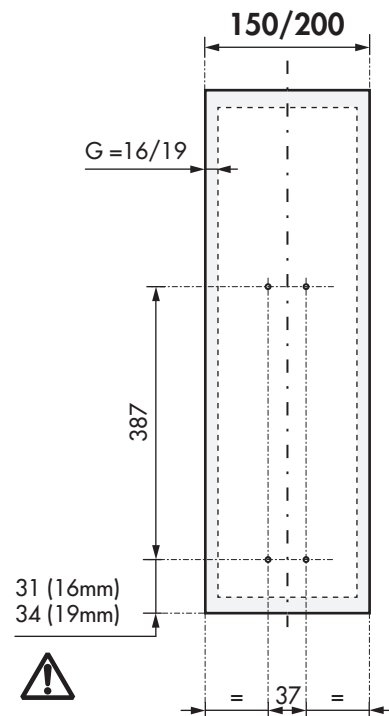
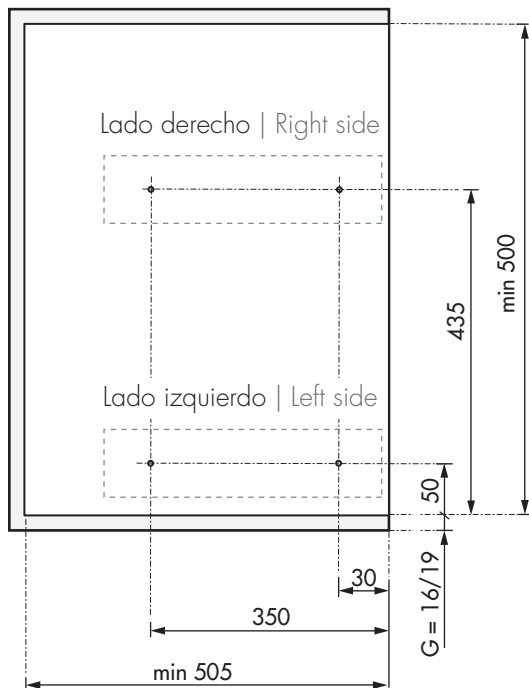
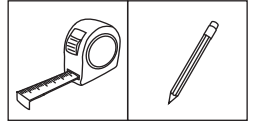
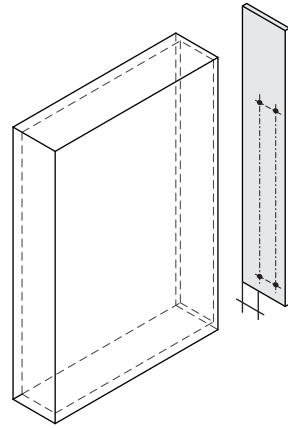
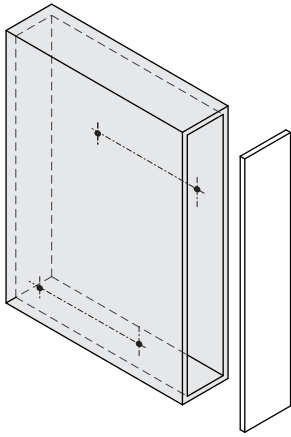
Ref: (F = 150mm) 49071014 /07
(F = 200mm) 49073014 /07





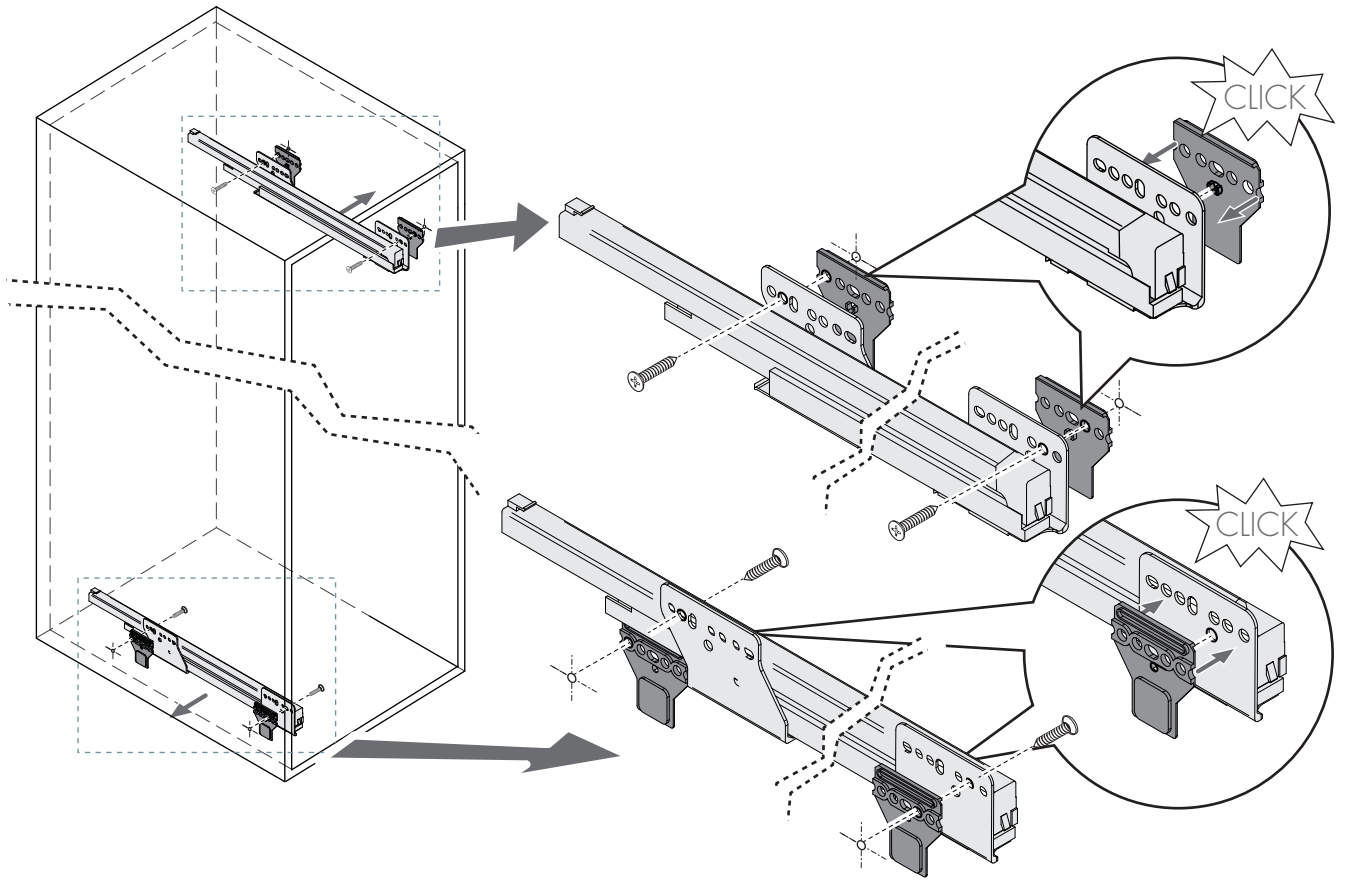
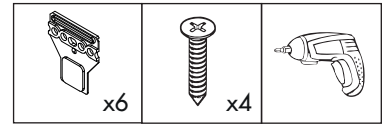
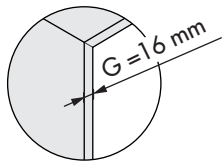


1

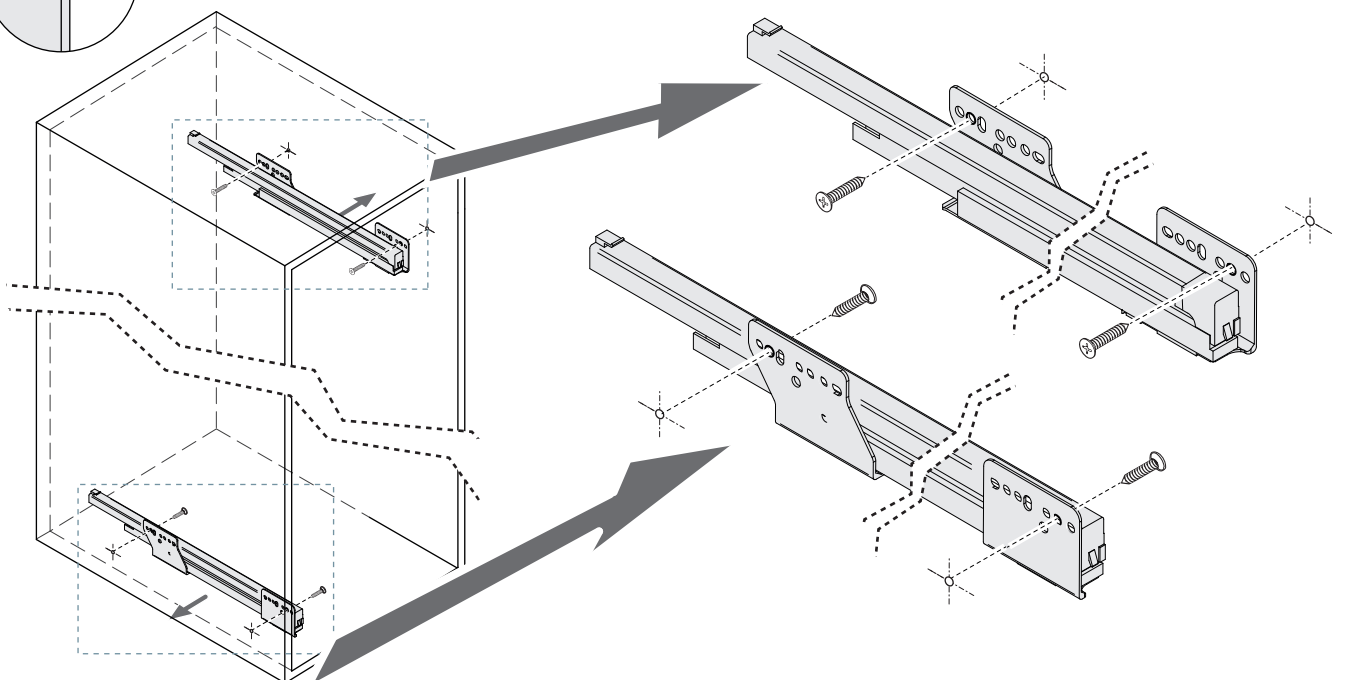
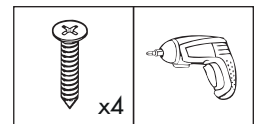
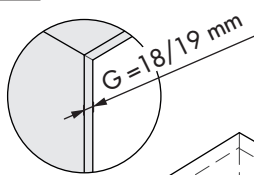


Unidades en milímetros | Units in millimeters | Unités en millimètres

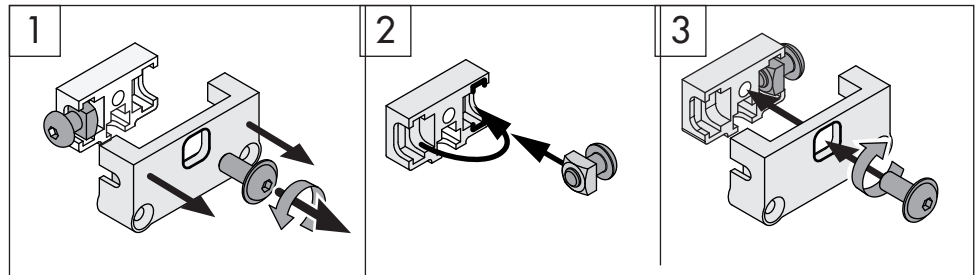
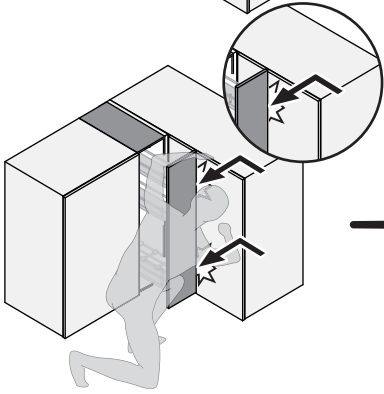
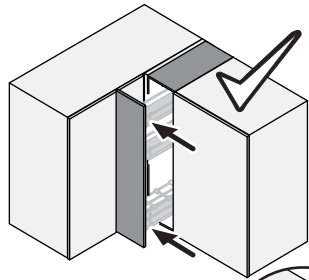
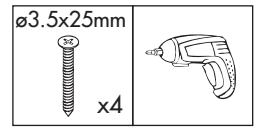
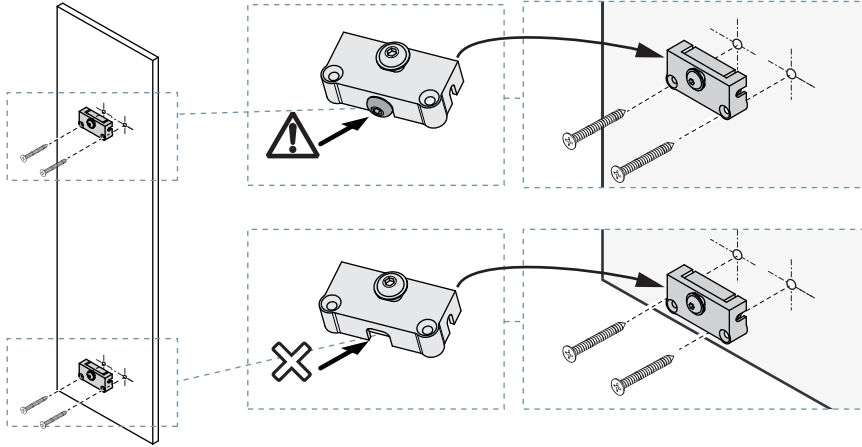
2.1



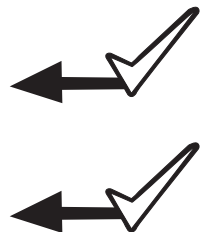
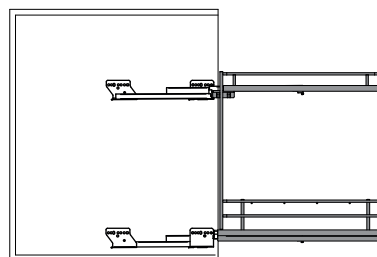
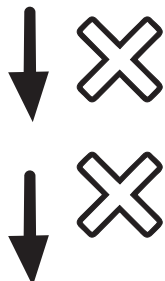
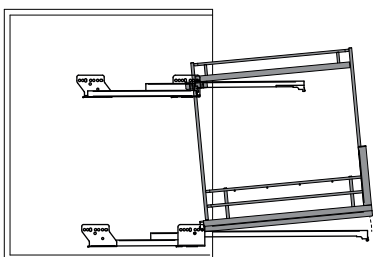
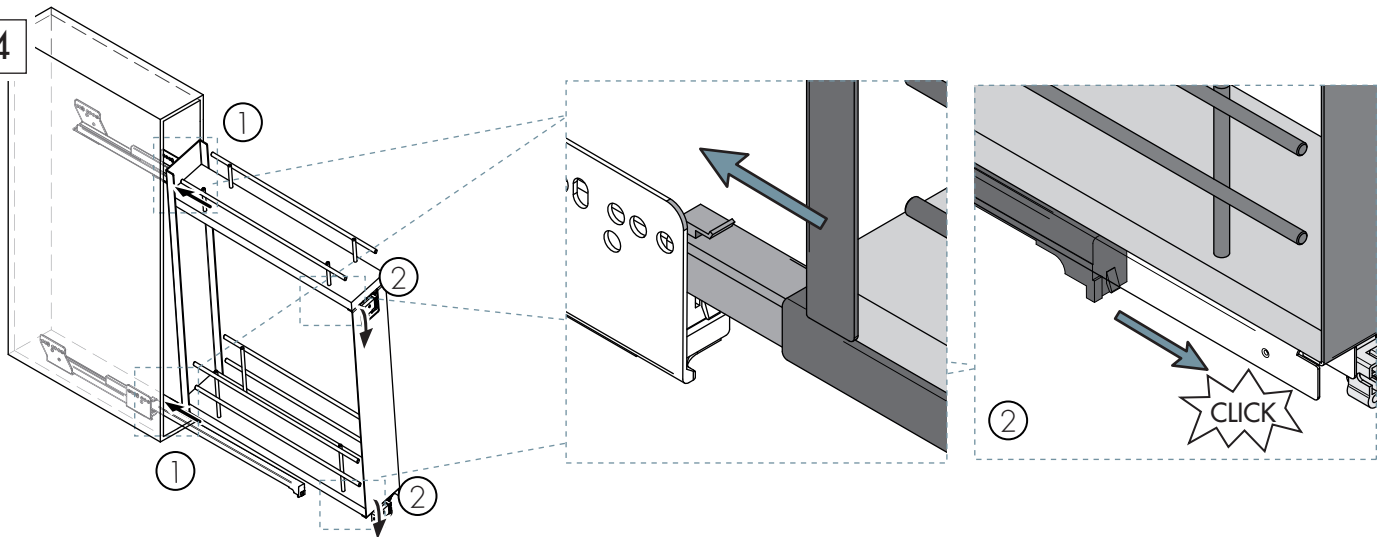
2.2



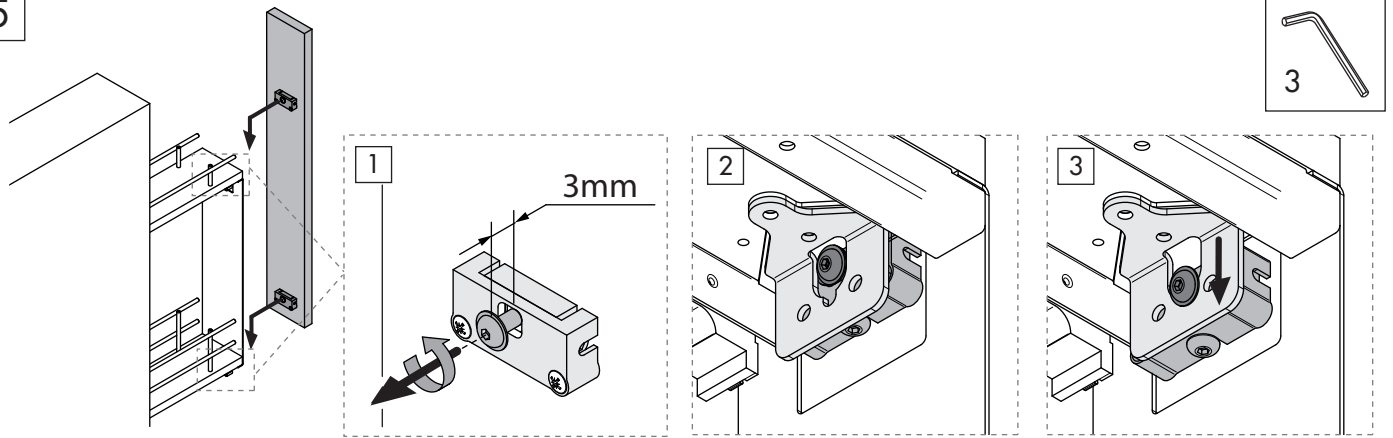
3



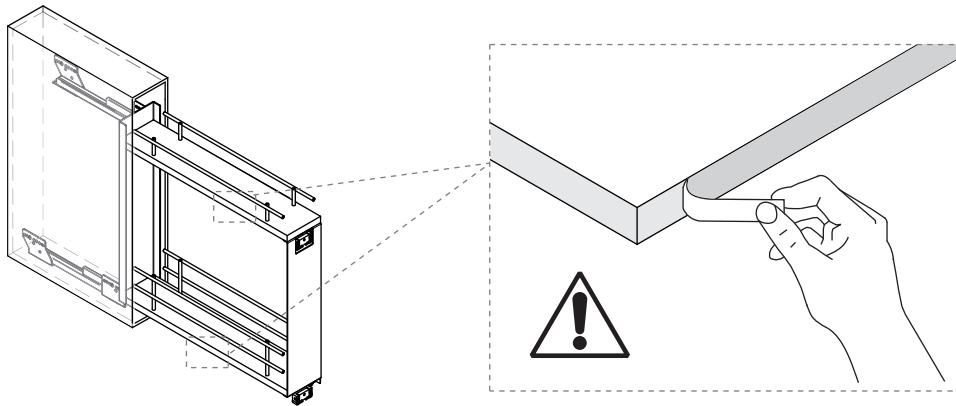
4



5

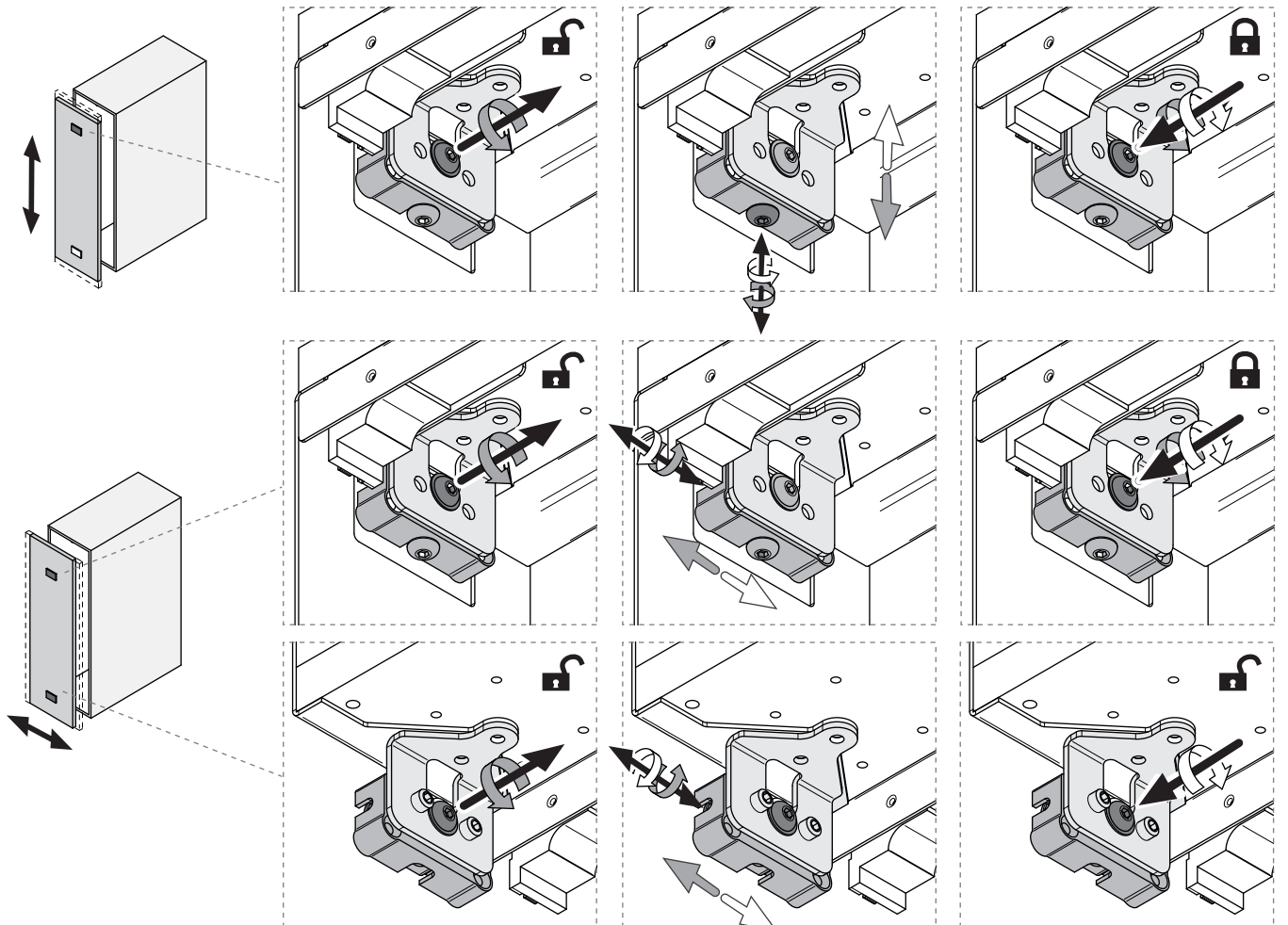
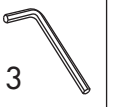


6

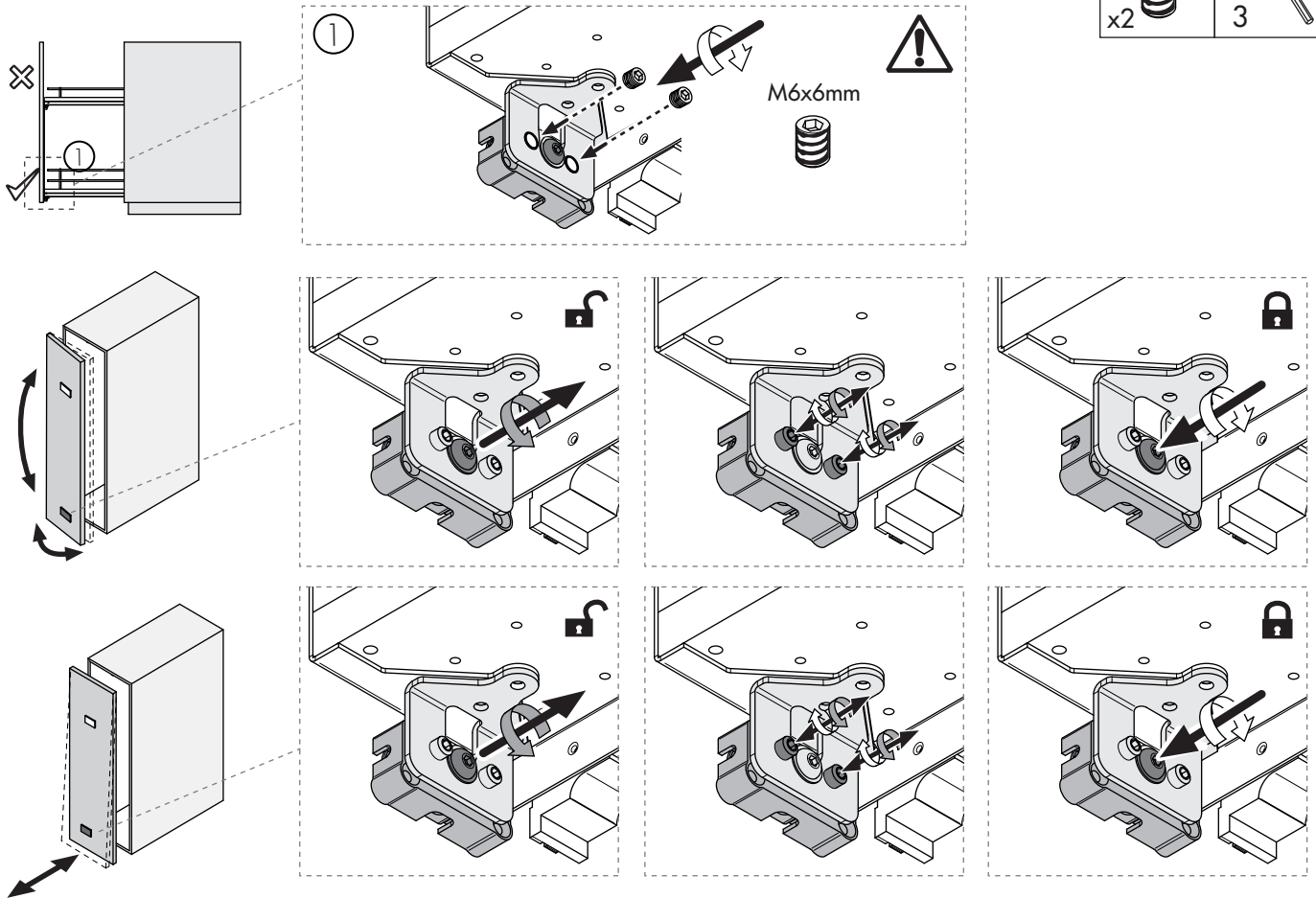
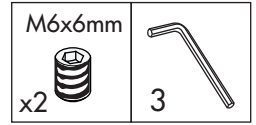


7

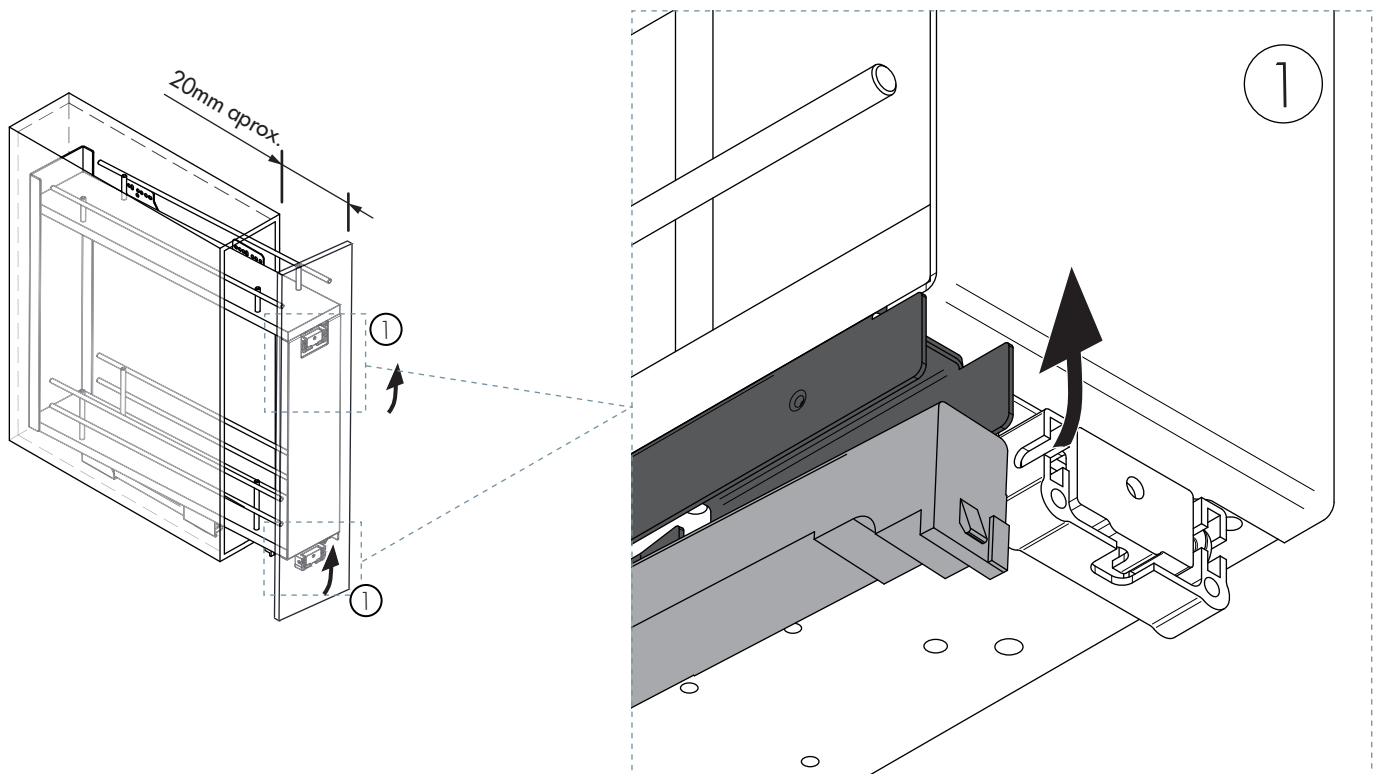
Regulación frontal | Front adjustment



8 Regulación frontal | Front adjustment

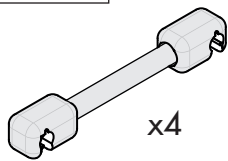


i Desmontaje | Dismount | Démontage



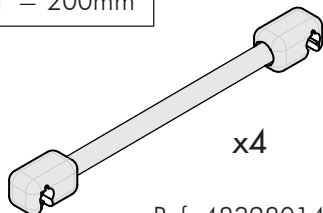
Productos Complementarios | Complementary products | Produits complémentaires

F = 150mm

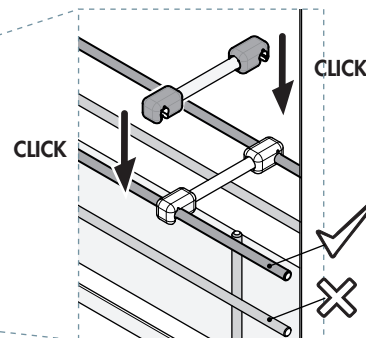
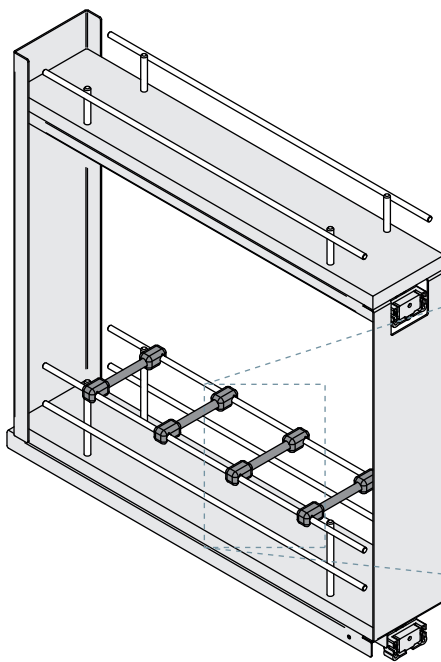
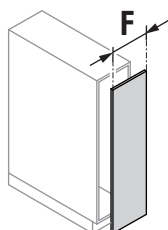


Ref: 48327014

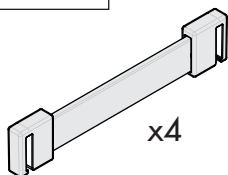
F = 200mm



Ref: 48328014

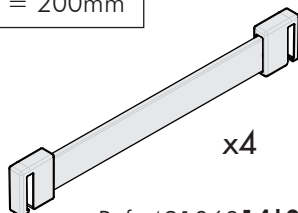


F = 150mm



Ref: 49105014|07

F = 200mm



Ref: 49106014|07

14 Cromo | Chrome
07 Antracita | Anthracite

